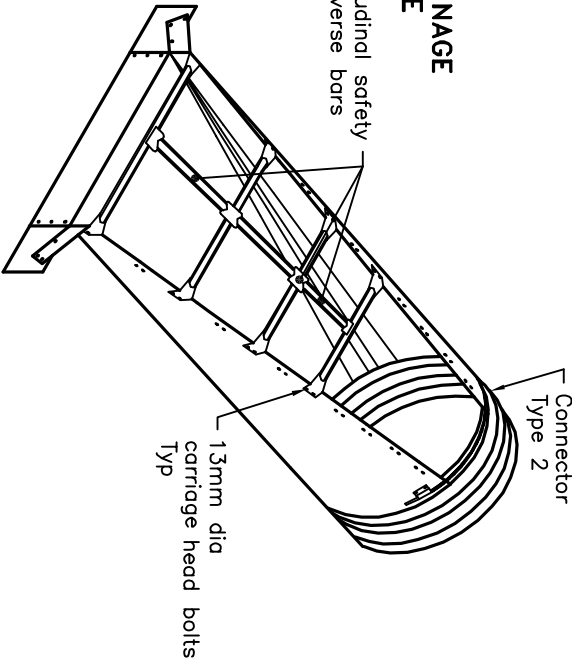


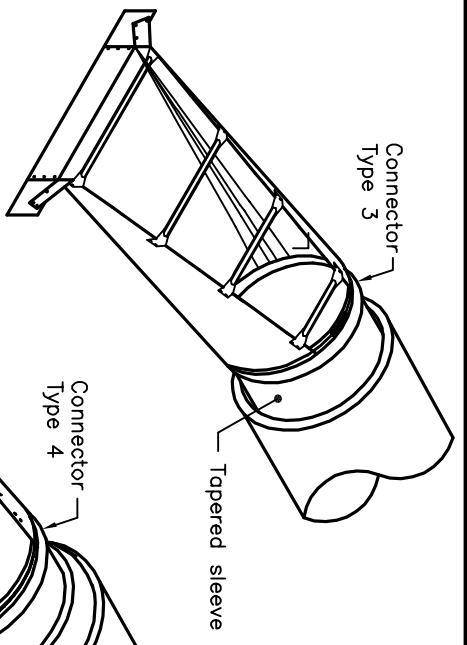
PARALLEL DRAINAGE STRUCTURE

Optional longitudinal safety bar with transverse bars
Note 1
Typ

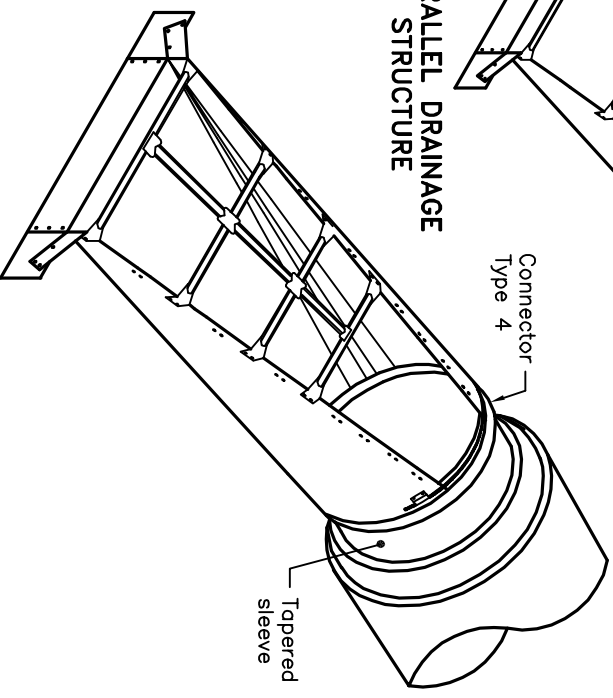


CROSS DRAINAGE STRUCTURE

CIRCULAR AND ARCHED CORRUGATED PIPES



PARALLEL DRAINAGE STRUCTURE



CROSS DRAINAGE STRUCTURE
CIRCULAR SMOOTH WALLED AND ELLIPTICAL PIPES
Concrete Pipe Shown

- NOTES:**
- 1 Longitudinal safety bar required only when span is greater than 750mm. When the open span of any cross drainage structure is less than 750mm, no longitudinal safety bars are required. Longitudinal bars shall be welded to the transverse bars to make a single piece structure.

- A** This OPSD shall be read in conjunction with OPSD 801.040, 801.042, and 801.043.
B All dimensions are in millimetres unless otherwise shown.

ONTARIO PROVINCIAL STANDARD DRAWING		Nov 2017		Rev 3		
CULVERT AND SEWER SAFETY SLOPE END TREATMENT ASSEMBLY DETAILS						
						OPSD 801.041