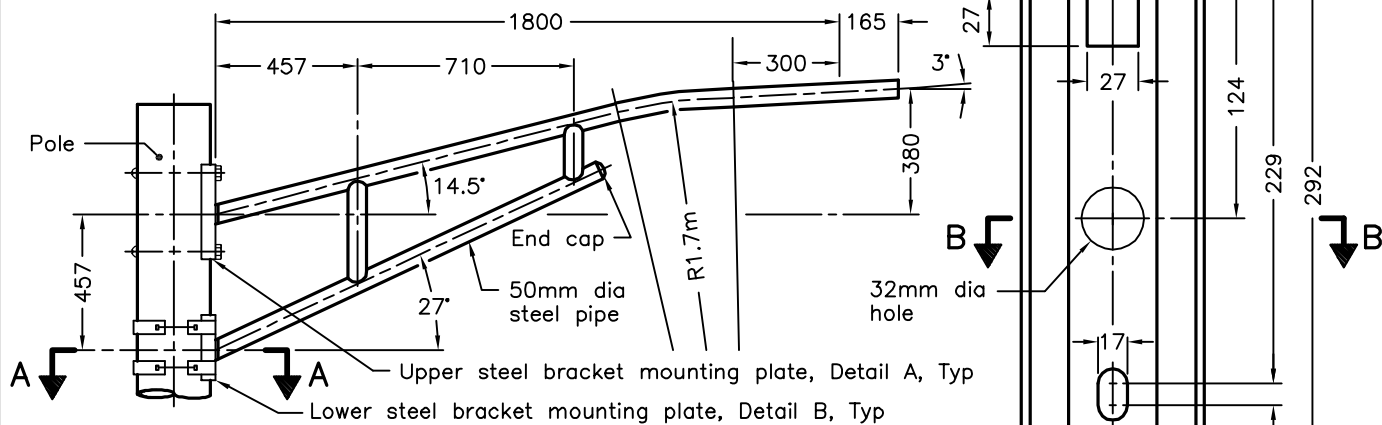


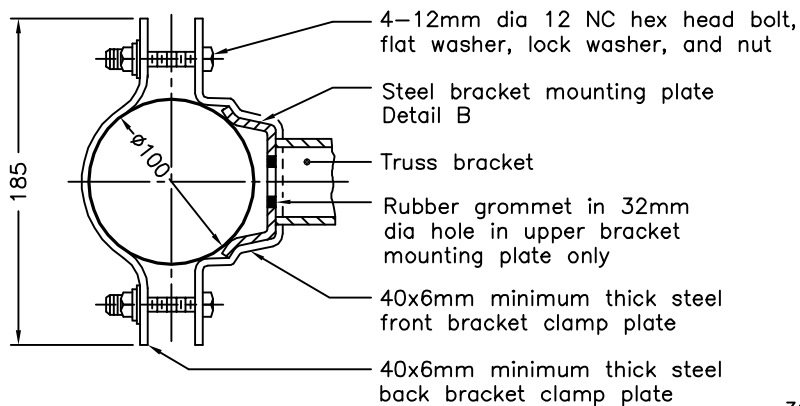
2.7m STEEL TRUSS BRACKET

SECTION B-B

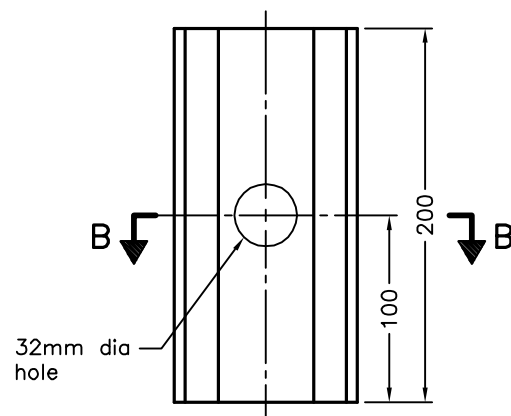


1.8m STEEL TRUSS BRACKET

DETAIL A



SECTION A-A



DETAIL B

NOTES:

A All dimensions are in millimetres unless otherwise shown.

ONTARIO PROVINCIAL STANDARD DRAWING

Nov 2016 Rev 2

**1.8m AND 2.7m
STEEL TRUSS BRACKET
FOR STEEL POLES**



OPSD 2418.010