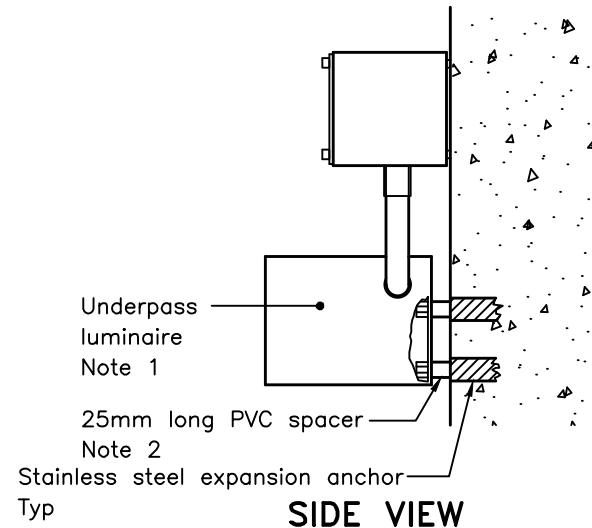
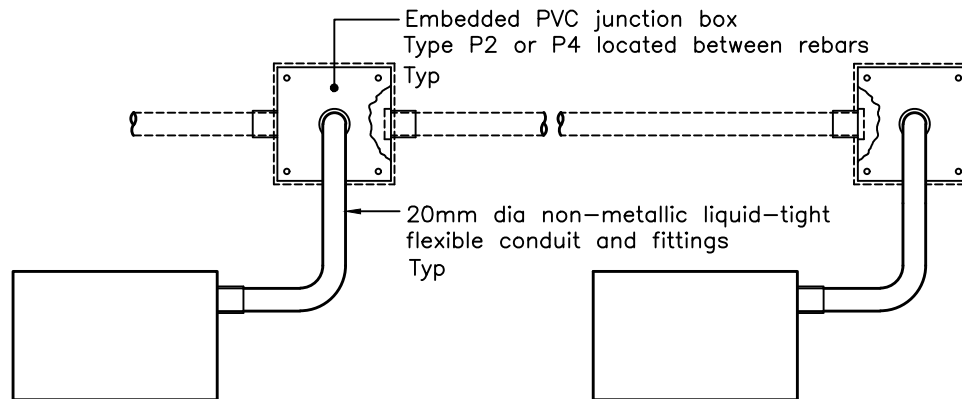


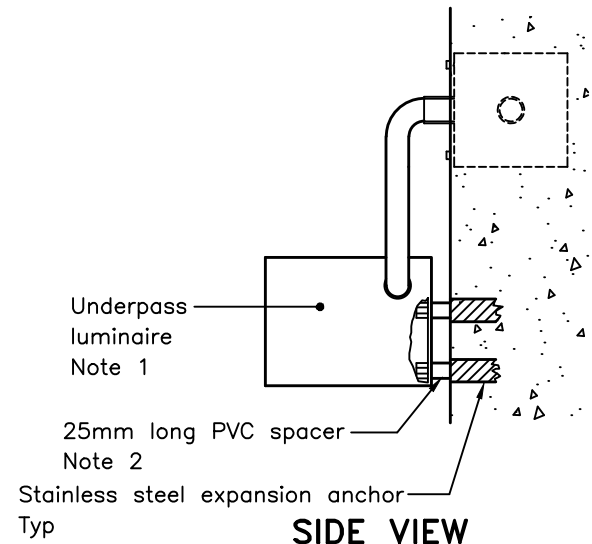
FRONT VIEW
SURFACE MOUNTED DUCTS AND JUNCTION BOXES



SIDE VIEW



FRONT VIEW
EMBEDDED DUCTS AND JUNCTION BOXES



SIDE VIEW

NOTES:

- 1 Luminaires shall be mounted on concrete surface by drilling and inserting stainless steel expansion anchors and securing the luminaires with 10mm dia x 65mm long stainless steel hexagonal head machine bolts.
- 2 Spacer not required when luminaire is supplied with integral standoff.
- A All dimensions are in millimetres unless otherwise shown.

ONTARIO PROVINCIAL STANDARD DRAWING

Apr 2022 Rev 3

UNDERPASS LUMINAIRES
 WALL MOUNTED INSTALLATION



OPSD 2305.020