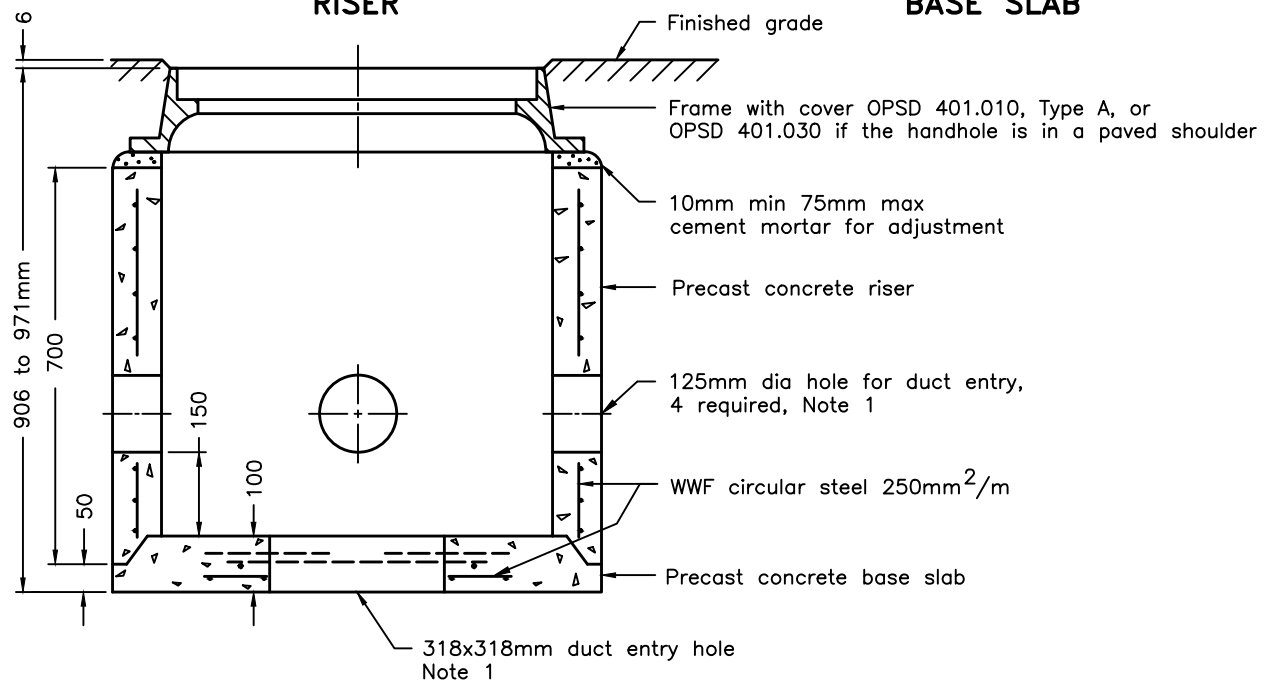


**PLAN
RISER**

**PLAN
BASE SLAB**



SECTION A-A

NOTES:

- 1 For duct installation details see OPSD 2123.030.
- A For general installation details see OPSD 2117.020.
- B All dimensions are in millimetres unless otherwise shown.

ONTARIO PROVINCIAL STANDARD DRAWING

Nov 2017 Rev 1

**ELECTRICAL HANDHOLE
PRECAST CONCRETE
675mm DIAMETER**



OPSD 2112.030