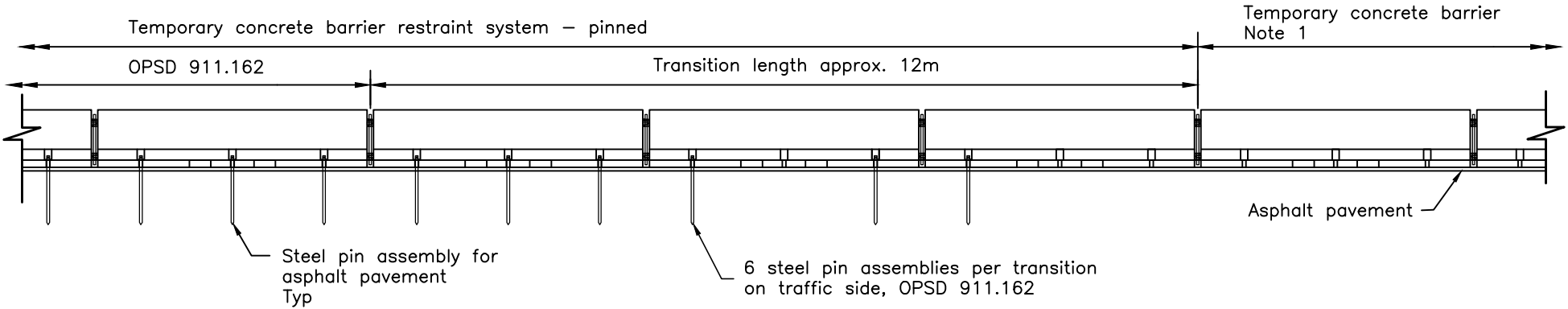


PLAN



ELEVATION

NOTES:

- 1 Type M temporary concrete barrier shown. Transition to another connection type shall be completed according to OPSD 911.340.
- 2 When the level area between the back of the barrier and the upper edge of an excavation is less than one metre, use of this standard requires the Owner to have a signed and sealed memorandum from an Engineer for each installation used during construction according to Ontario Regulation 213/91.

- A This OPSD shall be read in conjunction with OPSD 911.160 and 911.162.
- B System configuration meets NCHRP Report 350 TL-3.
- C All dimensions are in millimetres unless otherwise shown.

<b>ONTARIO PROVINCIAL STANDARD DRAWING</b>	Nov 2021   Rev   2	
<b>GUIDE RAIL SYSTEM, CONCRETE BARRIER TYPE M CONNECTION</b>	----- ----- -----	
<b>INSTALLATION – TEMPORARY RESTRAINT SYSTEM TRANSITION TO PINNED TCB</b>	<b>OPSD 911.170</b>	