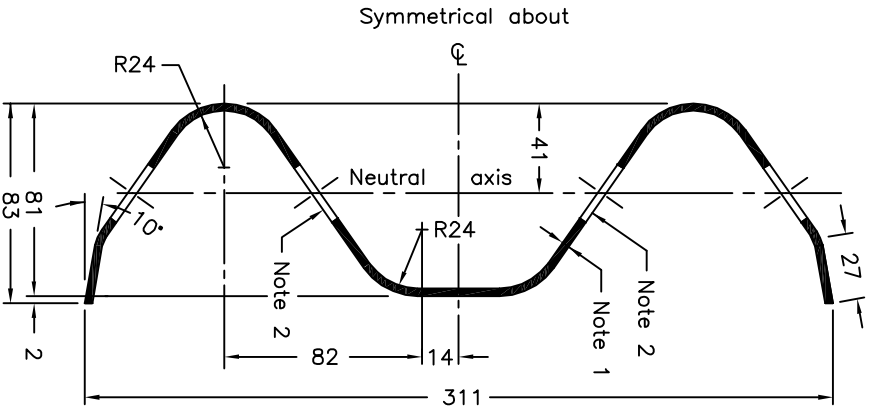
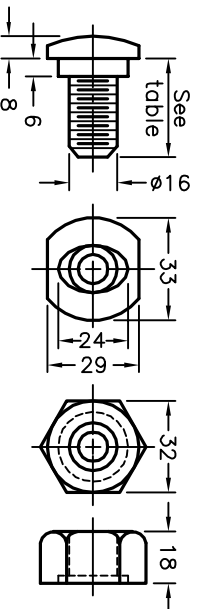


FRONT ELEVATION



ENLARGED SECTION A-A



SPLICE BOLT AND NUT

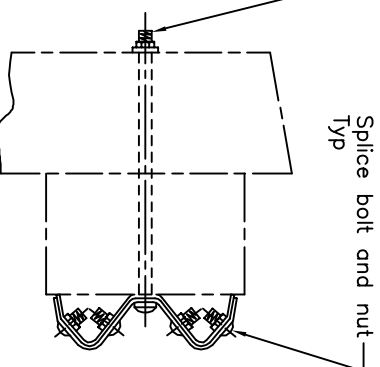
SPLICE BOLT LENGTH	
LOCATION	LENGTH
At posts	32
At structure anchor	38

NOTES:

- 1 Base metal thickness of rail shall be 2.67mm nominal and 2.44mm minimum.
- 2 Holes only in rail.
- A All dimensions subject to manufacturing tolerances unless otherwise indicated.
- B All dimensions are in millimetres unless otherwise shown.

Post bolt and nut with washer as specified on assembly drawings OPSD 912.130, 912.140, and 912.141

ARRANGEMENT AT POST WOODEN POST SHOWN



ONTARIO PROVINCIAL STANDARD DRAWING

GUIDE RAIL SYSTEM, STEEL BEAM RAIL

COMPONENT

Nov 2016 Rev 3

OPSD 912.101

