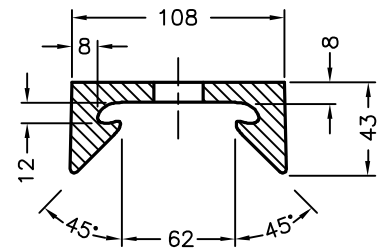
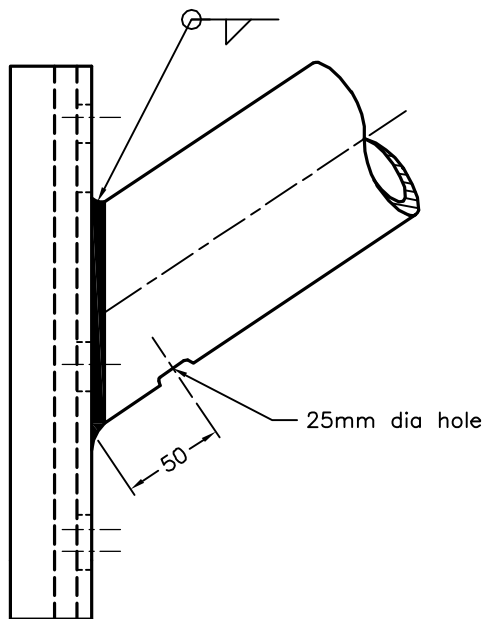


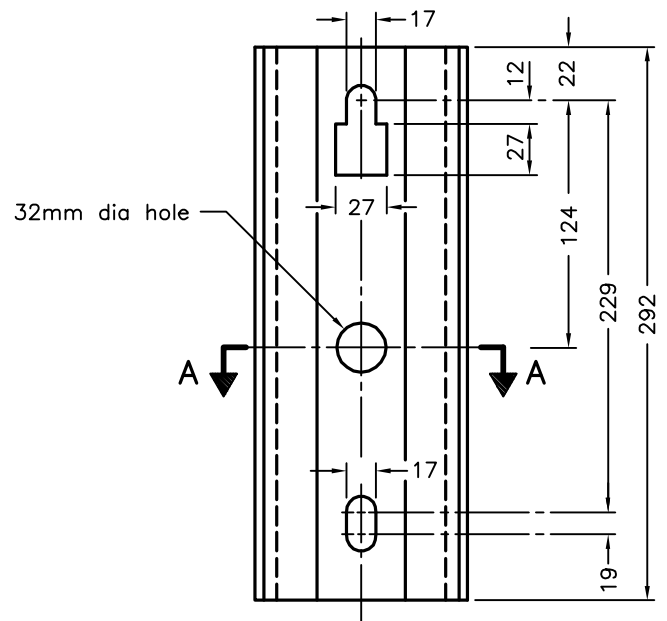
| DIMENSION | BRACKET | | | |
|--------------------|--------------|--------------|--------------|--------------|
| | 1.8m | 2.4m | 3.0m | 3.0m |
| L | 1.8m | 2.4m | 3.0m | 3.0m |
| H | 0.9m | 1.2m | 1.2m | 2.4m |
| Elliptical Section | 64x108 mm OD | 70x125 mm OD | 70x125 mm OD | 70x125 mm OD |



SECTION A-A



DETAIL A



BRACKET BASE PLATE

NOTES:

A For mounting details, see OPSD 2250.010.

B All dimensions are in millimetres unless otherwise shown.

ONTARIO PROVINCIAL STANDARD DRAWING

Nov 2017

Rev 0

ALUMINUM
TAPERED ELLIPTICAL BRACKET



OPSD 2420.010