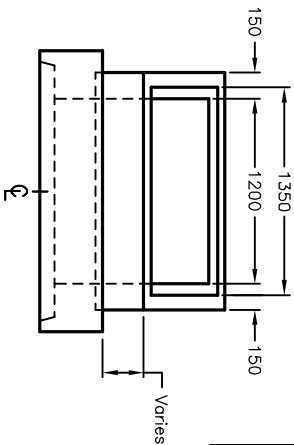
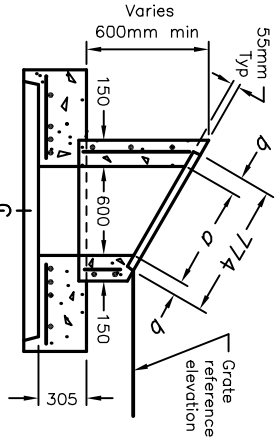


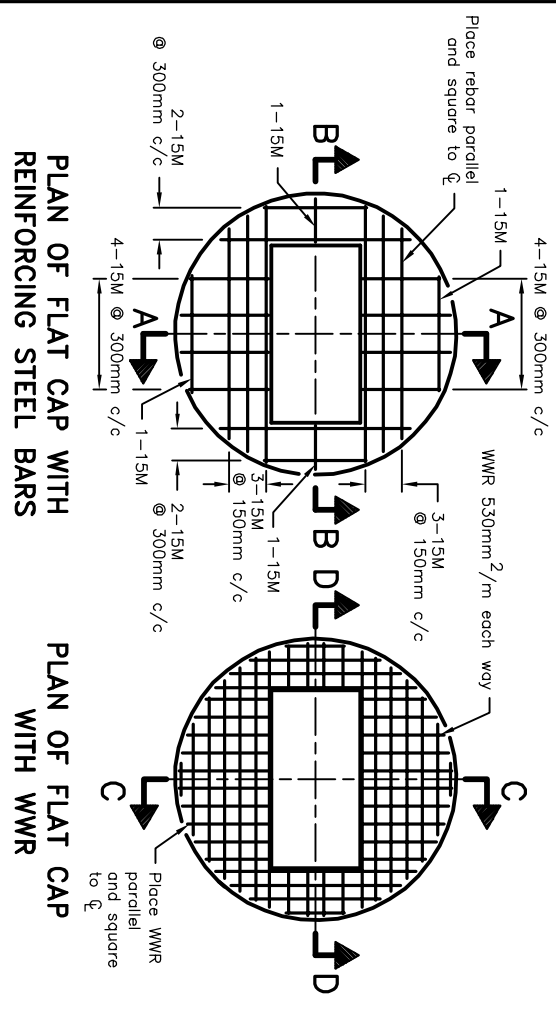
**TYPE A
DITCH INLET**



FRONT VIEW

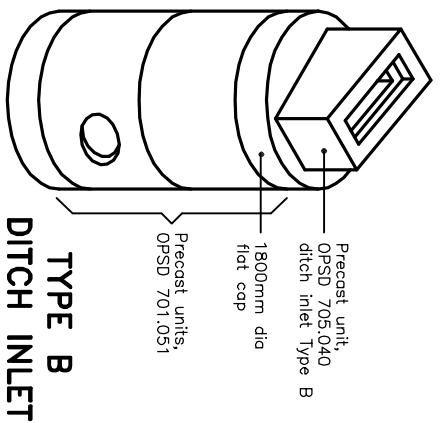


SECTION A-A

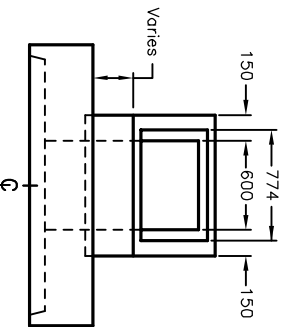


**PLAN OF FLAT CAP WITH
REINFORCING STEEL BARS**

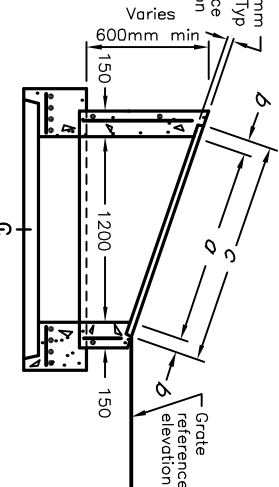
**PLAN OF FLAT CAP
WITH WWR**



**TYPE B
DITCH INLET**



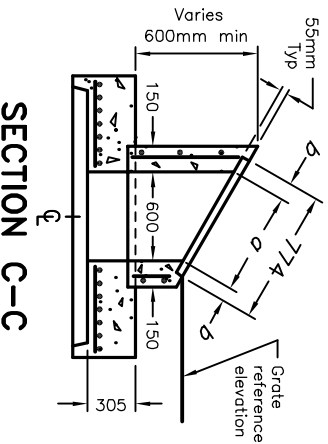
FRONT VIEW



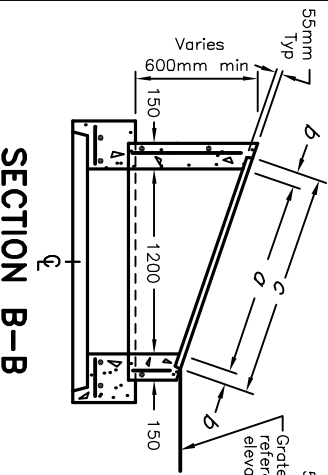
SECTION D-D

Opening Dimensions		
Grate Type	Slope	Opening Dimensions
		a
B	2H:1V	670
	3H:1V	632
	4H:1V	618
	Horizontal	600
		b
		52
		72
		79
		87

Opening Dimensions		
Grate Type	Slope	Opening Dimensions
		a
C	2H:1V	1341
	3H:1V	1265
	4H:1V	1237
	Horizontal	1200
B	2H:1V	66
	3H:1V	104
	4H:1V	118
	Horizontal	1200
		b
		66
		1473
		1473
		1473
		1346
		73
		1346



SECTION C-C



SECTION B-B

NOTES:

- A Where inlet is placed across ditch and is accessible to vehicular traffic, grating slope shall be 6H:1V or flatter.
- B All reinforcing steel shall have 25mm minimum cover.
- C Grating shall be according to OPSD 403.010.
- D All dimensions are nominal.
- E All dimensions are in millimetres unless otherwise shown.

ONTARIO PROVINCIAL STANDARD DRAWING

PRECAST CONCRETE DITCH INLETS

600X1200mm

WITH 1800mm DIAMETER FLAT CAP

Nov 2014 Rev 3



OPSD 706.020