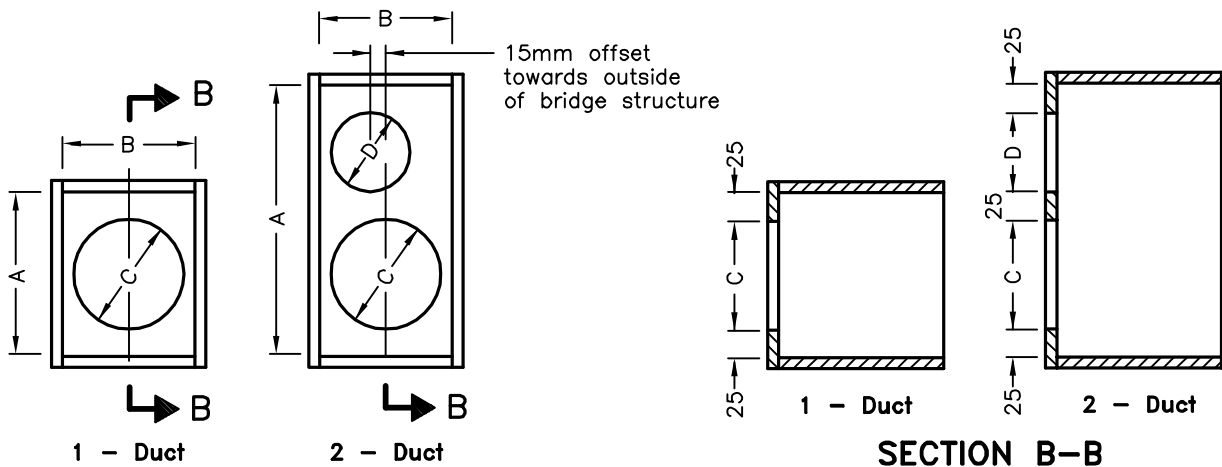
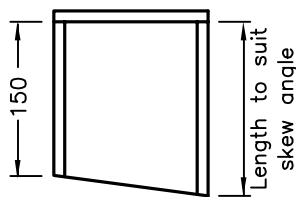


PLAN - FITTING ASSEMBLY



SECTION A-A

SECTION B-B



TOP VIEW

Number of Duct	Size of Duct	A	B	C	D
1	50	120	90	70	-
1	75	150	120	100	-
2	50	215	90	70	70
1	50	245	120	100	70
1	75				

DETAIL A - CAVITY FORMER

NOTES:

- 1 Refer to structural expansion joint drawings for J dimensions.
X=J at installation temperature - Min J + 25, mm minimum.
Y=Max J - Min J + 50, mm minimum.
- A The cavity former shall be made of 10 mm plywood.
- B All dimensions are in millimetres unless otherwise shown.

ONTARIO PROVINCIAL STANDARD DRAWING

Nov 2013 Rev 0

**EXPANSION AND DEFLECTION
FITTING ASSEMBLY
FOR 50 AND 75mm RIGID DUCTS**



OPSD 2302.020