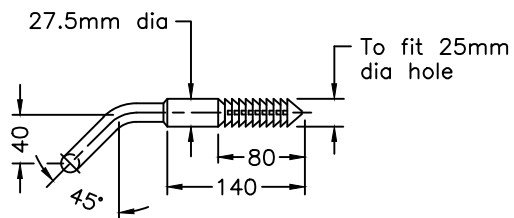
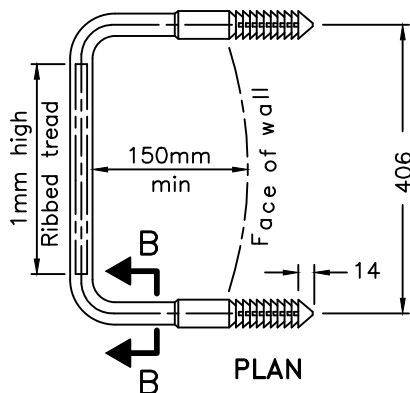


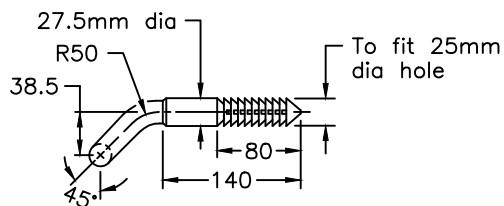
PLAN



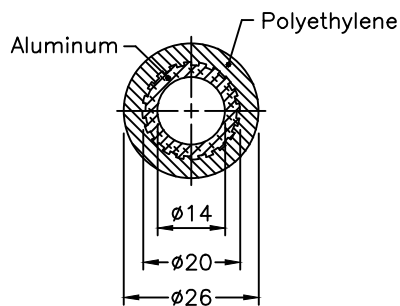
SIDE VIEW



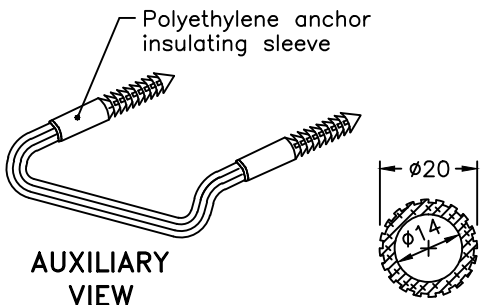
PLAN



SIDE VIEW



SECTION B-B

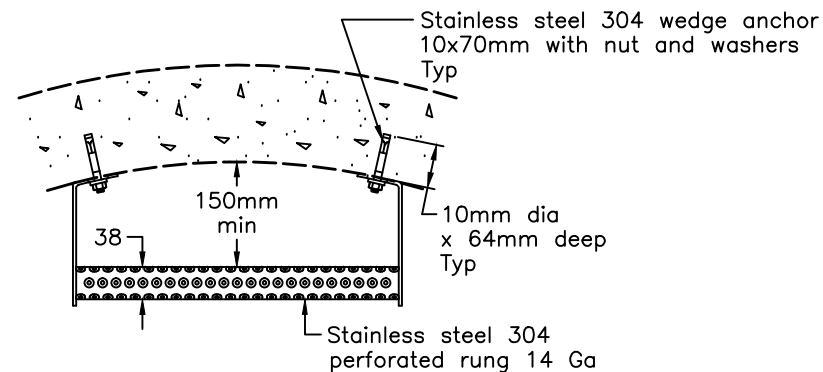


AUXILIARY VIEW

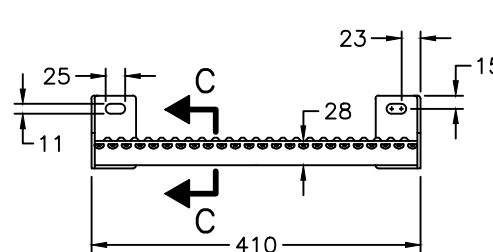
EXTRUDED CIRCULAR SECTION A-A

CIRCULAR ALUMINUM

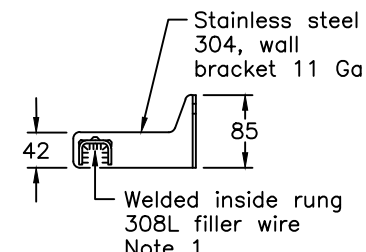
CIRCULAR ALUMINUM WITH POLYETHYLENE ENCASEMENT



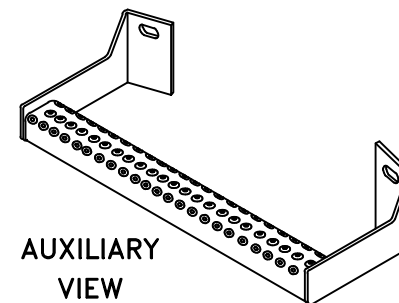
PLAN



FRONT VIEW



SECTION C-C



AUXILIARY VIEW

RECTANGULAR STAINLESS STEEL

NOTE:

1 The company undertaking welded fabrication shall be certified according to CSA W47.1. All welding shall be according to CSA W59.

A All aluminum components shall be 6000 series structural aluminum.

B All dimensions are in millimetres unless otherwise shown.

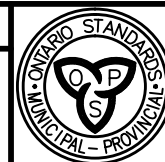
ONTARIO PROVINCIAL STANDARD DRAWING

Nov 2018

Rev 4

MAINTENANCE HOLE STEPS

HOLLOW



OPSD 405.010