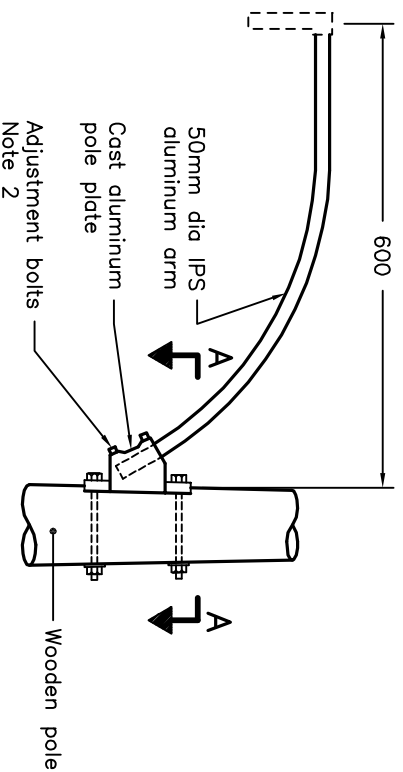
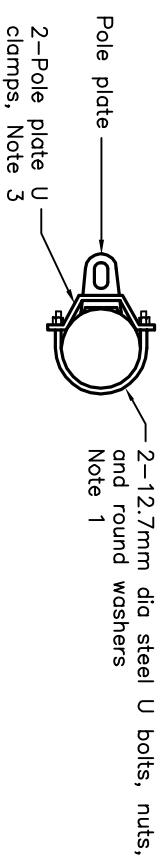


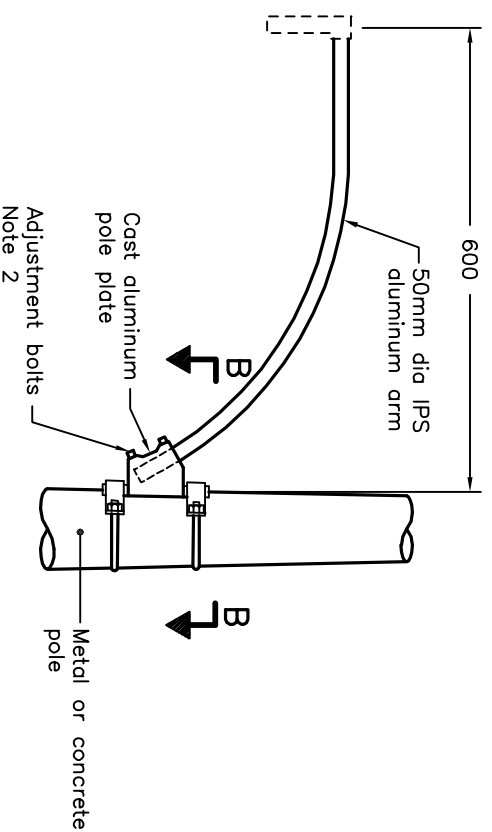
**SECTION A-A**



**ATTACHMENT TYPE 2  
WOODEN POLE**



**SECTION B-B**



**ATTACHMENT TYPE 1  
METAL AND CONCRETE POLE**

**NOTES:**

- 1 12.7mm diameter U bolts shall be no more than 25mm larger in diameter than the diameter of the pole at the point of attachment.
  - 2 Adjustment bolts shall be adjusted so the straight portion of the arm is level.
  - 3 Pole plate U clamps shall be 8mm hot dip galvanized steel plate and suit the pole diameter.
- A This OPSD shall be read in conjunction with OPSD 2500.010.
- B All dimensions are in millimetres unless otherwise shown.

ONTARIO PROVINCIAL STANDARD DRAWING

**600mm SIGNAL ARM  
ATTACHMENT TO POLES**

Nov 2017

Rev 2



OPSD 2500.020