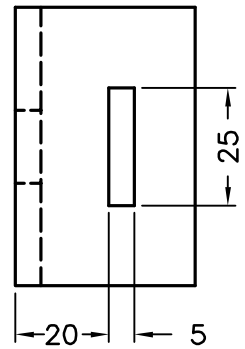
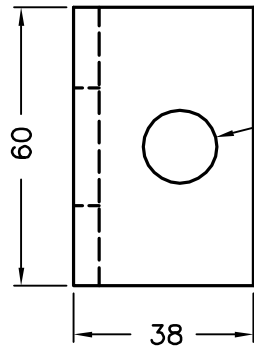
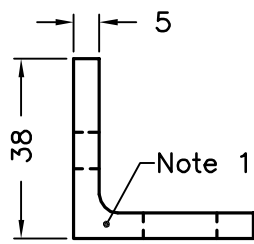
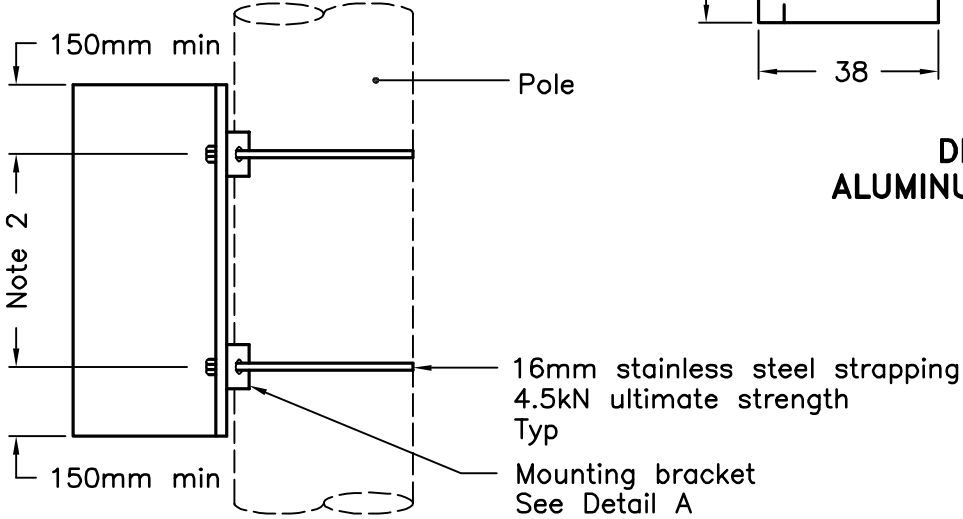


TOP VIEW



**DETAIL A
ALUMINUM POLE PLATE**



SIDE ELEVATION

NOTES:

- 1 Mounting bracket shall be extruded aluminum grade 6061-T6.
- 2 Adjust mounting location to suit internal cabinet equipment.
- A This OPSD to be read in conjunction with OPSD 2510.010.
- B All dimensions are in millimetres unless otherwise shown.

ONTARIO PROVINCIAL STANDARD DRAWING	Nov 2011	Rev 0	
MOUNTING BRACKET FOR POLE MOUNTED CONTROLLER CABINET	-----		
OPSD 2510.020			