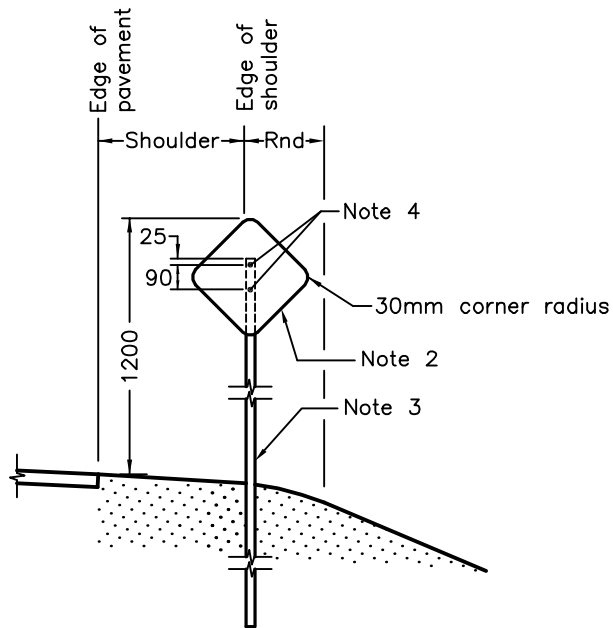


**POST MOUNTED DELINEATOR  
TYPE A**



**POST MOUNTED DELINEATOR  
TYPE B**

**NOTES:**

- 1 Type A delineators shall be 125 x 125mm.
  - 2 Type B delineators shall be 250 x 250mm.
  - 3 Delineator posts shall be 25 x 25mm steel square tube post, 2134mm in length.
  - 4 Prior to galvanizing, four holes shall be drilled or punched, size No. 30, 3.2mm diameter. Delineators shall be fastened with two #10 (3/16") x 3/4" metal drilling screws.
- A All dimensions are in millimetres unless otherwise shown.

ONTARIO PROVINCIAL STANDARD DRAWING	Nov 2014	Rev 1	
<b>POST MOUNTED DELINEATOR INSTALLATION</b>	----- -----		
<b>OPSD 984.101</b>			