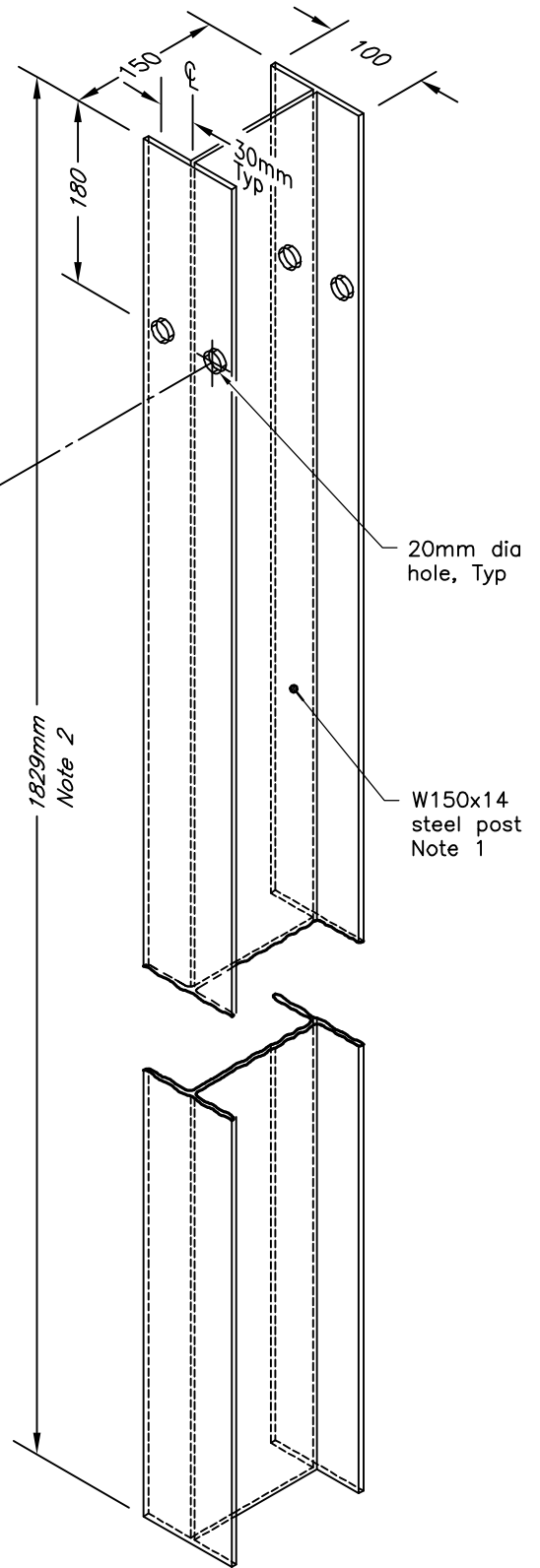


**ROUTED WOODEN OFFSET BLOCK (SHOWN)
OR
PLASTIC OFFSET BLOCK
ACCORDING TO OPSD 912.129**



POST DETAIL

NOTES:

- 1 Imperial size steel sections W6x9 or W6x8.5 are acceptable.
- 2 Post length shall be 2438mm when specified and when 2438mm long shall be stamped with a 50mm high number "8" in center of web 50mm below top of post.
- A All dimensions are in millimetres unless otherwise shown.

<p>ONTARIO PROVINCIAL STANDARD DRAWING</p>	<p>Nov 2016</p>	<p>Rev 0</p>	
<p>GUIDE RAIL SYSTEM, STEEL BEAM TYPE M30 STEEL POST WITH OFFSET BLOCK COMPONENT</p>	<p>----- -----</p>		