

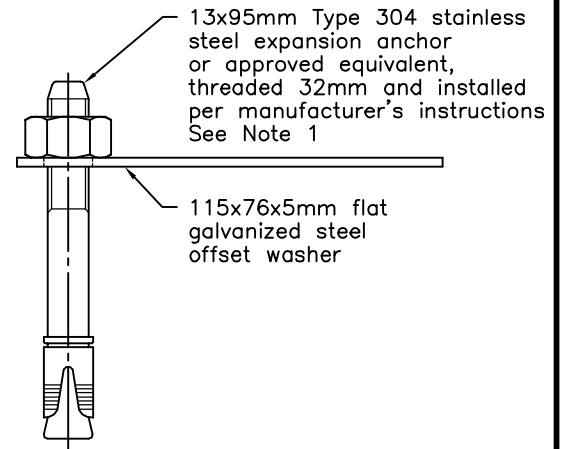
Grating Type	Grating Size	
	Length L	Width W
A	762	768
B	1338	768
C	1465	768

PLAN OF GRATE

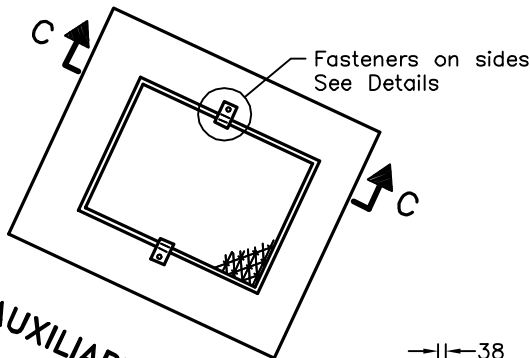
SECTION A-A



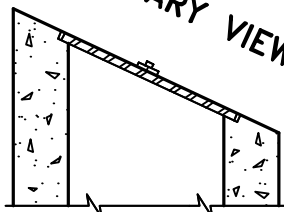
SECTION B-B



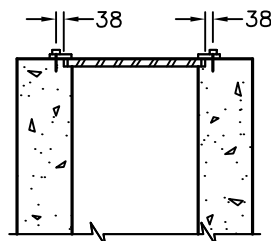
FASTENER DETAIL



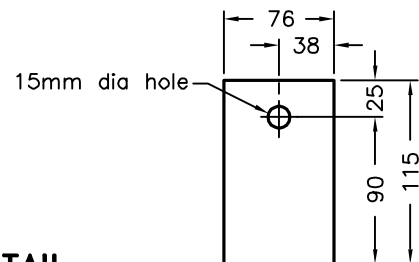
AUXILIARY VIEW



SECTION C-C



FASTENER EMBEDMENT DETAIL



OFFSET WASHER DETAIL

NOTES:

- 1 Equivalent (13x100mm Galvanized J-Bolt) cast-in-place anchor may be used.
- A Fastener shall be inserted to maintain minimum concrete cover requirements.
- B All steel components and rivets shall be galvanized.
- C All dimensions are in millimetres unless otherwise shown.

ONTARIO PROVINCIAL STANDARD DRAWING

Nov 2017

Rev 3

**GALVANIZED STEEL
HONEYCOMB GRATING
FOR DITCH INLETS**



OPSD 403.010