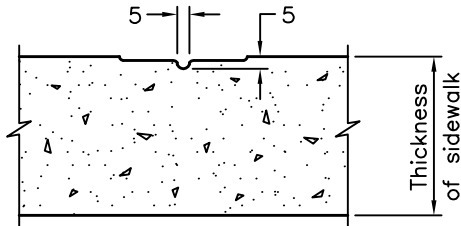
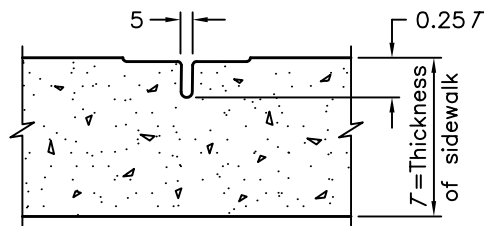


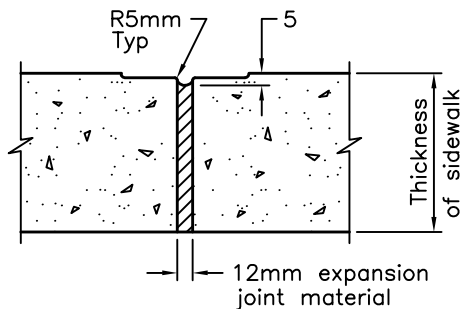
TYPICAL SECTION



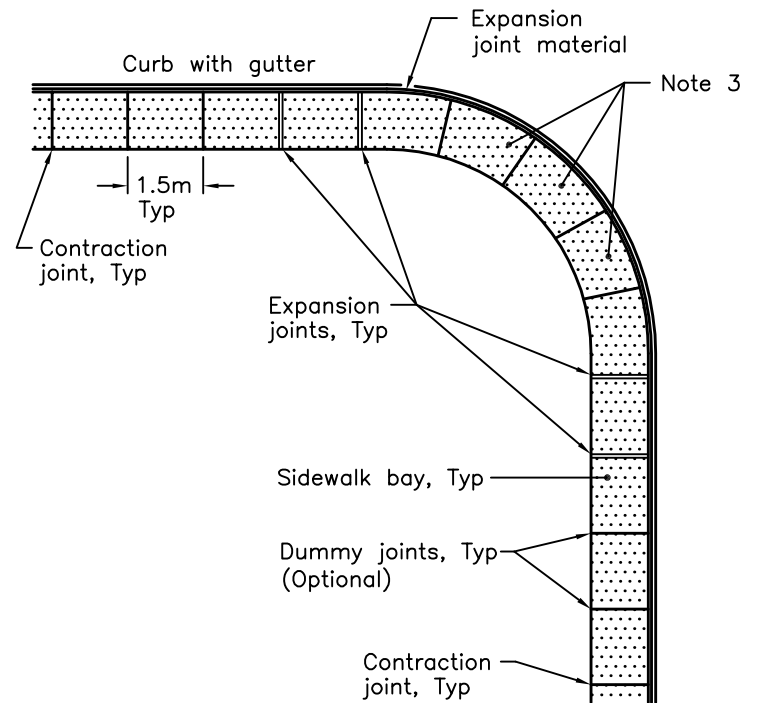
DUMMY JOINT



CONTRACTION JOINT



EXPANSION JOINT



JOINT LAYOUT

NOTES:

- 1 At commercial and industrial driveways, the thickness shall be 200mm.
- 2 Sidewalk width shall be wider when specified.
- 3 This OPSD shall be read in conjunction with OPSD 310.030, 310.031, 310.033, and 310.039.

A All dimensions are in millimetres unless otherwise shown.

ONTARIO PROVINCIAL STANDARD DRAWING

Nov 2019

Rev 3

**CONCRETE SIDEWALK
ADJACENT TO CURB WITH GUTTER**



OPSD 310.020