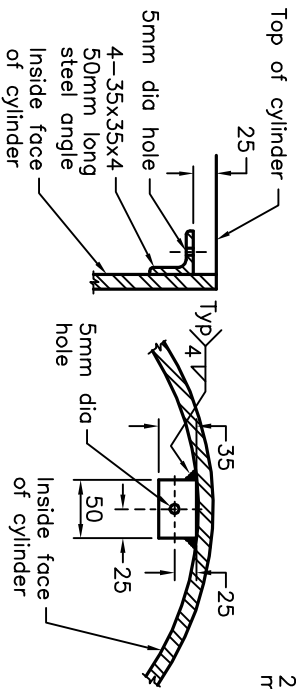
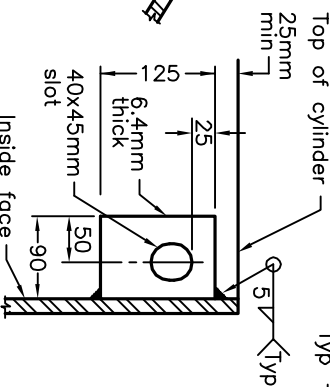


STEEL CYLINDERS: A,B,C
TOP VIEWS

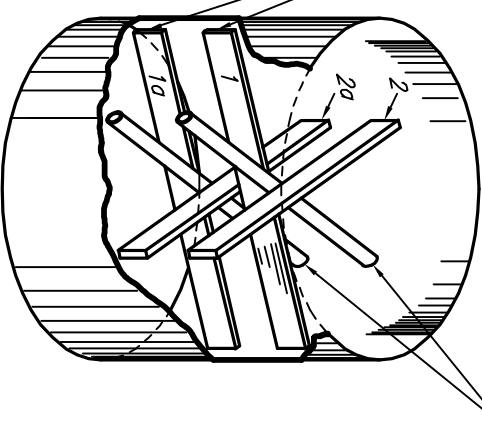
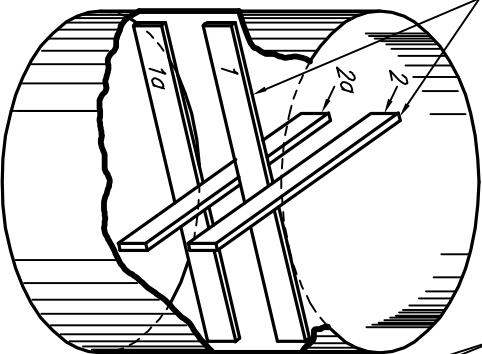
STEEL CYLINDERS: D,E,F,G
TOP VIEWS



SIDE VIEW
LID SUPPORT ANGLE
DETAIL



LIFTING DEVICE
DETAIL



STEEL CYLINDERS: A,B,C
ISOMETRIC VIEWS

STEEL CYLINDERS: D,E,F,G
ISOMETRIC VIEWS

NOTE:

A No internal reinforcing in cylinder types H to N.
B All dimensions are in millimetres unless otherwise shown.

STEEL CYLINDERS			
CYLINDERS	OD	HEIGHT	WALL THICKNESS
A,B,C	1220	1218	6.4
D,E	1220	1218	7.9
F,G,H	1220	1218	4.8
I,J,K,N			
L,M	914	1218	4.2

ONTARIO PROVINCIAL STANDARD DRAWING

Nov 2013 Rev 2

**ENERGY ATTENUATOR, CRASH CUSHION
CONNECTICUT IMPACT ATTENUATION SYSTEM
COMPONENT - STEEL CYLINDER**



OPSD 923.201