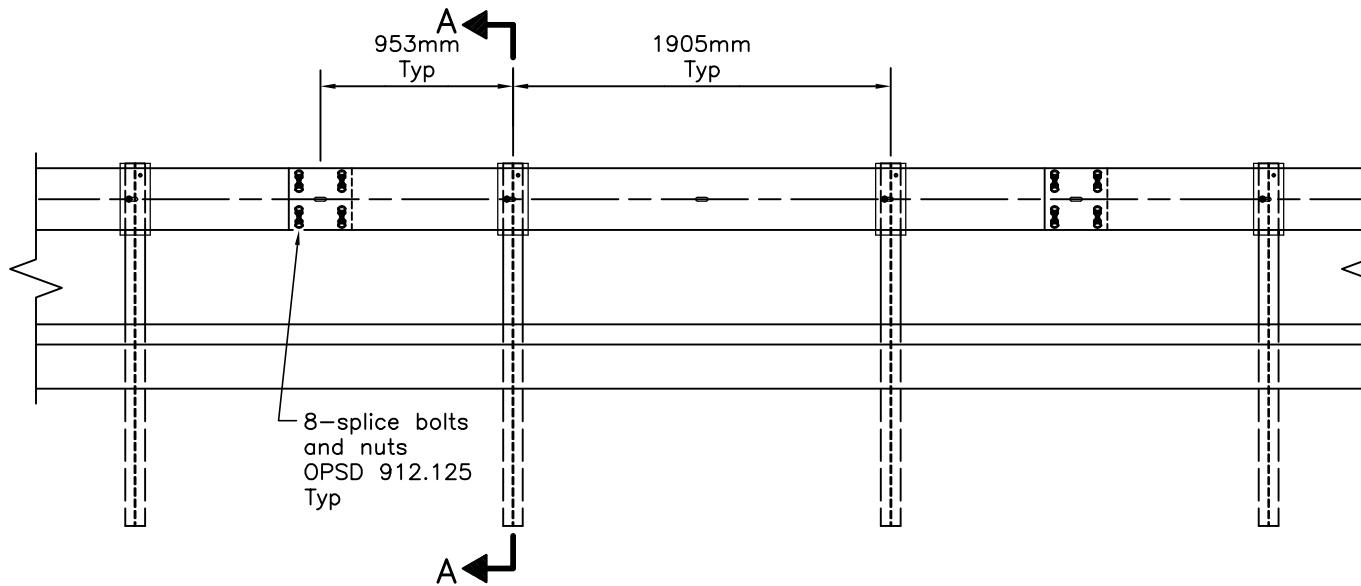
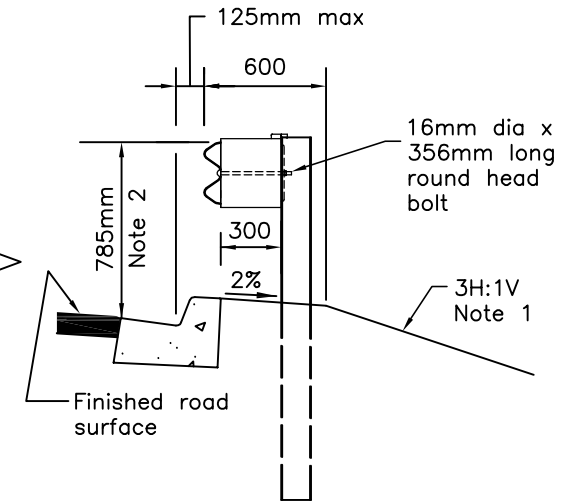


PLAN




ELEVATION



SECTION A-A

NOTES:

- 1 Slope shall be flatter when specified.
- 2 Mounting height to top of steel beam rail shall be measured vertically at the edge of pavement.
- A System configuration meets AASHTO MASH TL-3.
- B All dimensions are in millimetres unless otherwise shown.

ONTARIO PROVINCIAL STANDARD DRAWING		Nov 2019	Rev 1	
GUIDE RAIL SYSTEM, STEEL BEAM				
TYPE M30-ADJACENT TO CONCRETE CURB				
INSTALLATION		OPSD 912.188		