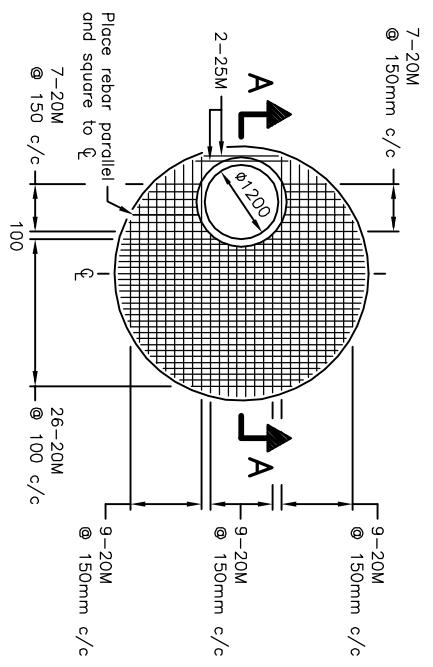
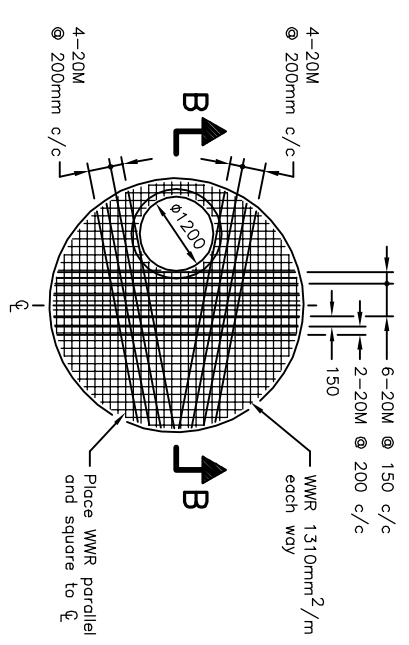


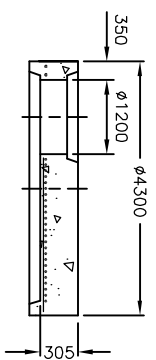
PLAN OF TRANSITION SLAB WITH REINFORCING STEEL BARS



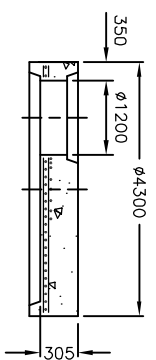
PLAN OF TRANSITION SLAB WITH REINFORCING STEEL BARS AND WWR



SECTION A-A



SECTION B-B



NOTES:

- A This OPSD shall be read in conjunction with OPSD 701.081.
- B All reinforcing steel shall have 25mm minimum cover.
- C Steps shall be according to OPSD 405.010 or 405.020.
- D All dimensions are nominal.
- E All dimensions are in millimetres unless otherwise shown.

ONTARIO PROVINCIAL STANDARD DRAWING		Nov 2014	Rev 3	
PRECAST CONCRETE MAINTENANCE HOLE COMPONENTS				
3600mm DIAMETER TRANSITION SLAB				OPSD 701.080