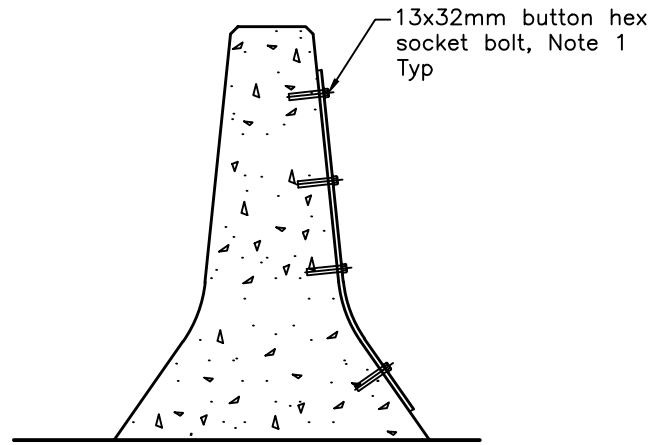
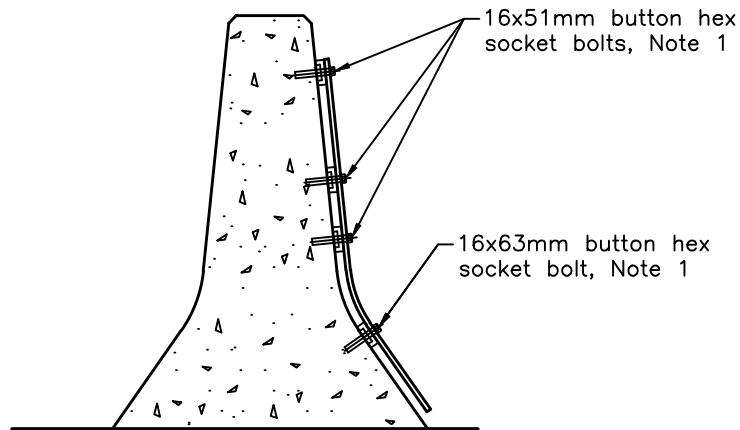


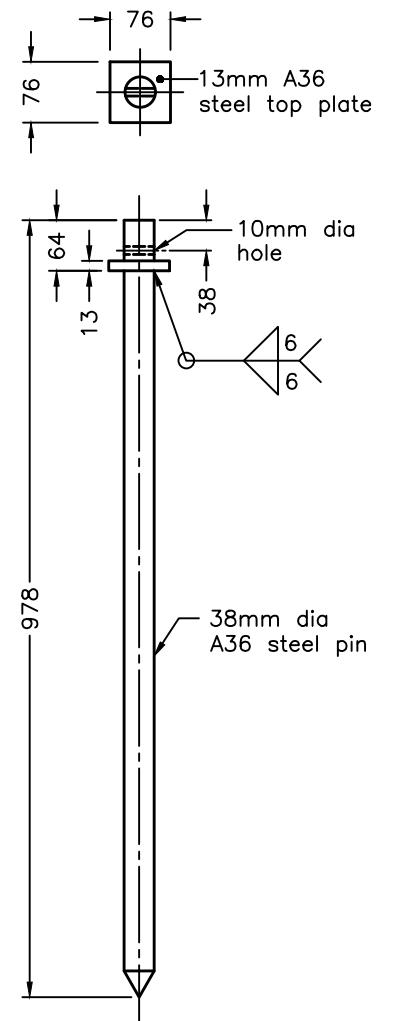
UPSTREAM CONNECTION



SECTION A-A




SECTION B-B



STEEL PIN ASSEMBLY FOR ASPHALT PAVEMENT

NOTES:

- 1 Hex socket bolts shall use Hilti HY-200 epoxy anchoring system or equivalent epoxy adhesive anchoring system.
- A All dimensions are in millimetres unless otherwise shown.

ONTARIO PROVINCIAL STANDARD DRAWING	Nov 2020	Rev 0	
GUIDE RAIL SYSTEM, CONCRETE BARRIER TEMPORARY TRANSITION BARRIER	-----		
CONNECTION TO PERMANENT BARRIER – COMPONENT	-----		
OPSD 911.341			