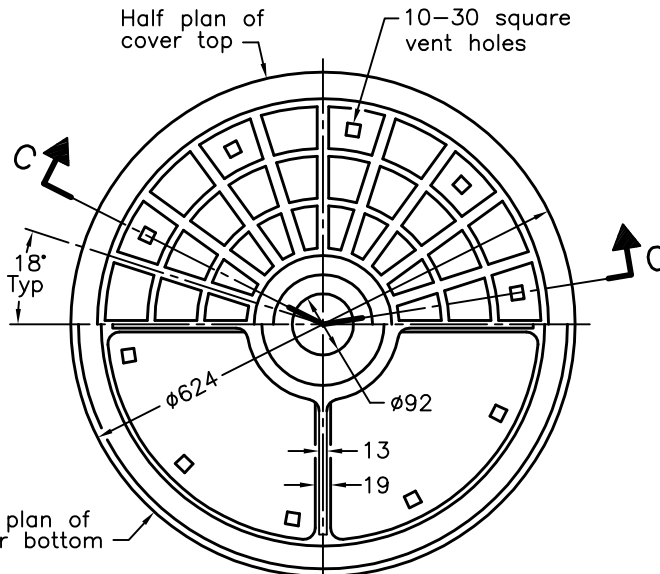
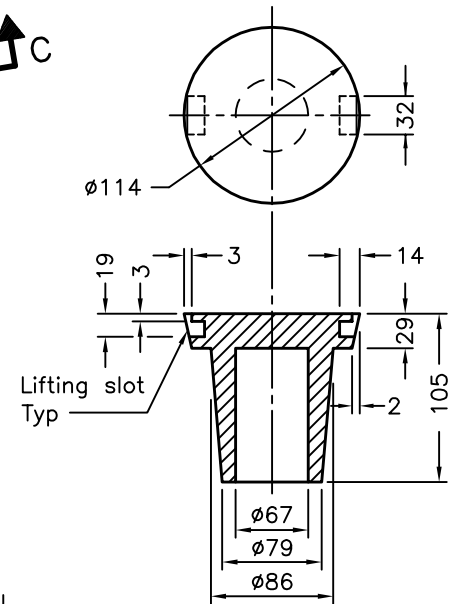


FRAME PLAN

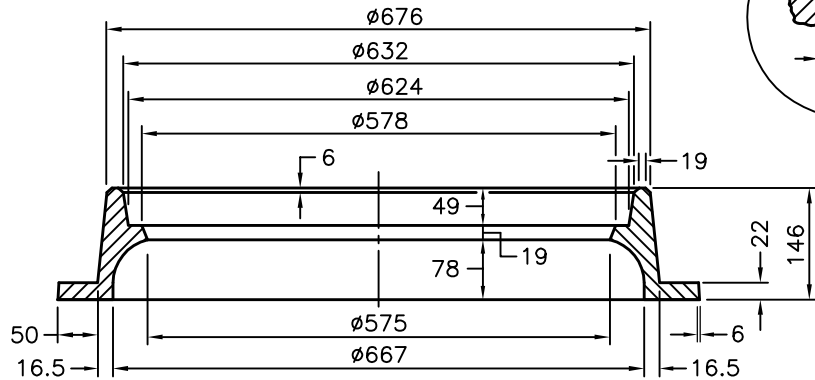
Hoisting hook rib
Typ, OPSP 400.001



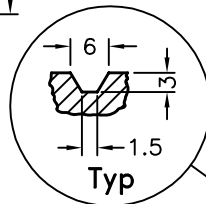
PLAN



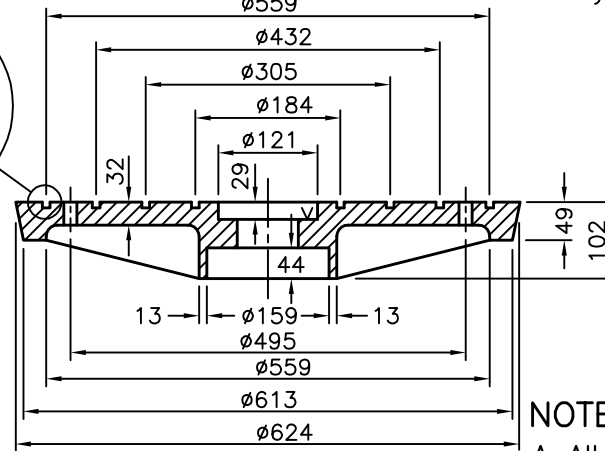
PLUG DETAIL



SECTION A-A



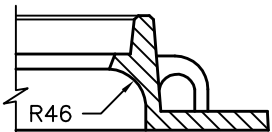
Typ



SECTION C-C

NOTES:

A All dimensions are in millimetres unless otherwise shown.



SECTION B-B

ONTARIO PROVINCIAL STANDARD DRAWING

**CAST IRON, SQUARE FRAME WITH
VENTED CIRCULAR COVER AND PLUG
FOR VALVE CHAMBERS**

Nov 2019

Rev 4



OPSD 402.011