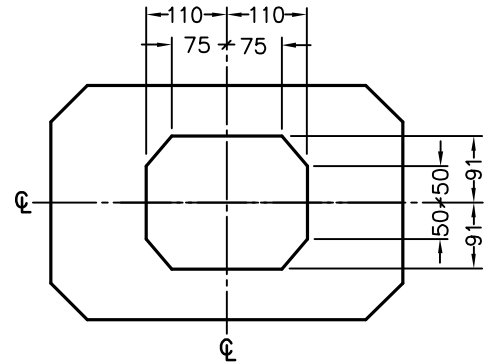
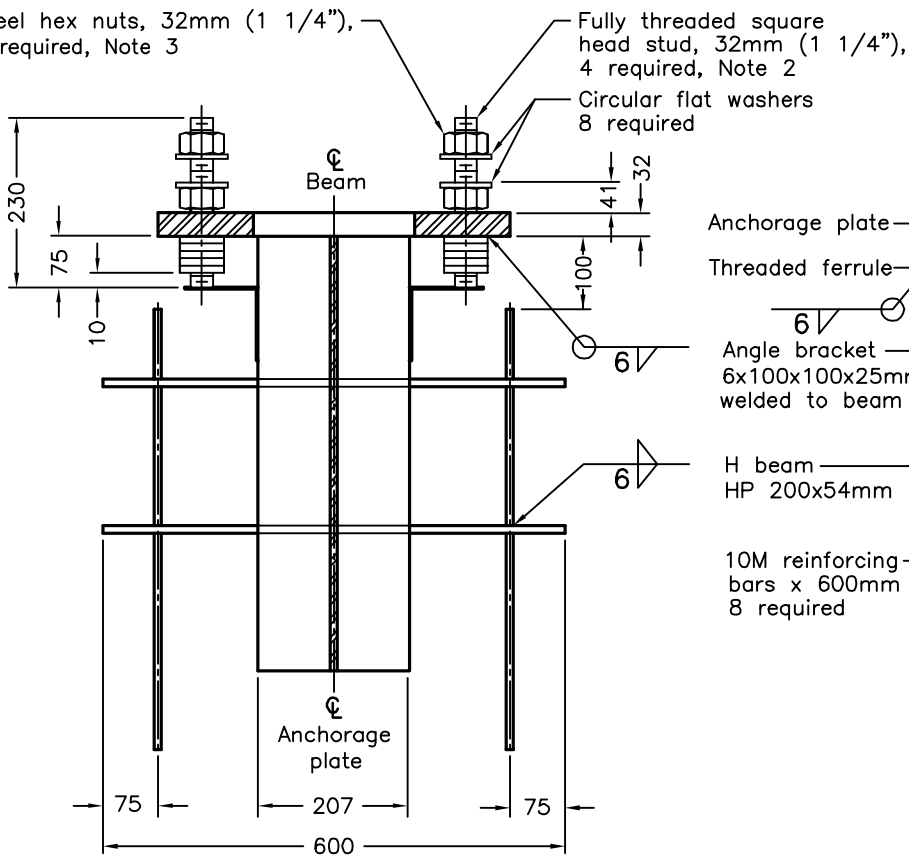


PLAN

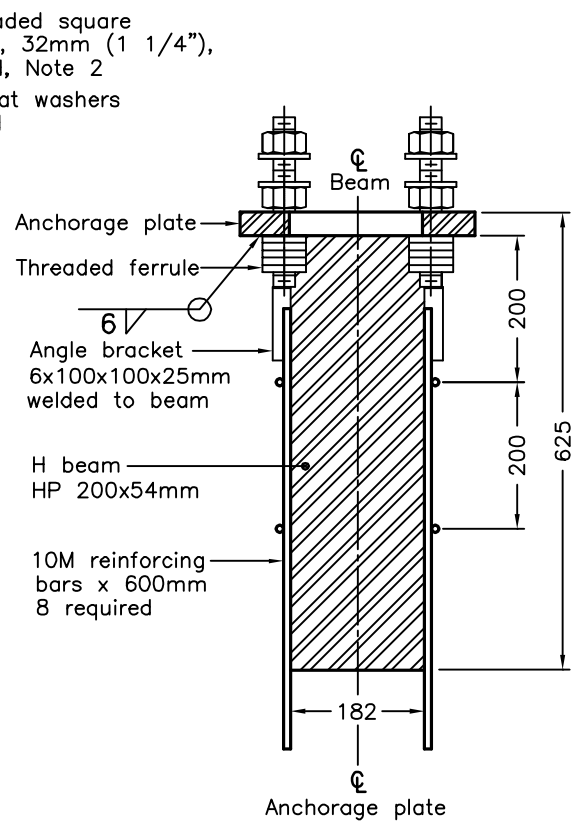


**DETAIL OF
DUCT ENTRY HOLE**

Steel hex nuts, 32mm (1 1/4"),
8 required, Note 3



SECTION A-A



SECTION B-B

NOTES:

- 1 6mm slots to bolt holes, when required, for steel cutting purposes only.
- 2 Studs shall be factory set in ferrule with preapplied thread locking compound.
- 3 Assembly nuts shall be shipped hand tightened only.

A All dimensions are in millimetres unless otherwise shown.

ONTARIO PROVINCIAL STANDARD DRAWING

Nov 2015

Rev 2

**ANCHORAGE ASSEMBLY
FOR
POLE FOOTING IN CONCRETE BARRIER**



OPSD 2216.010