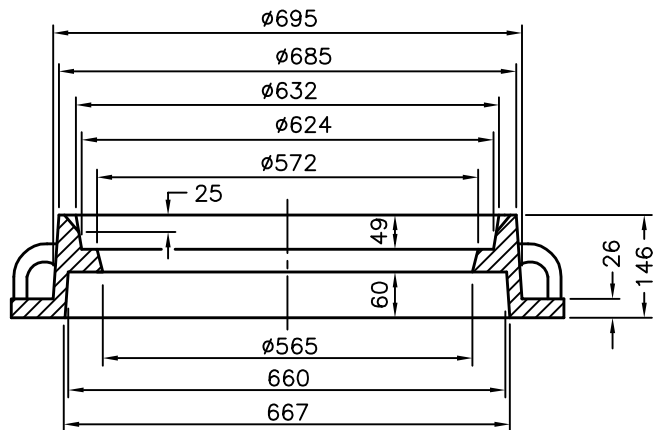
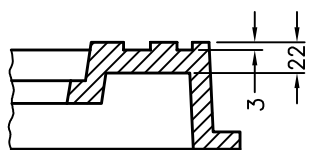


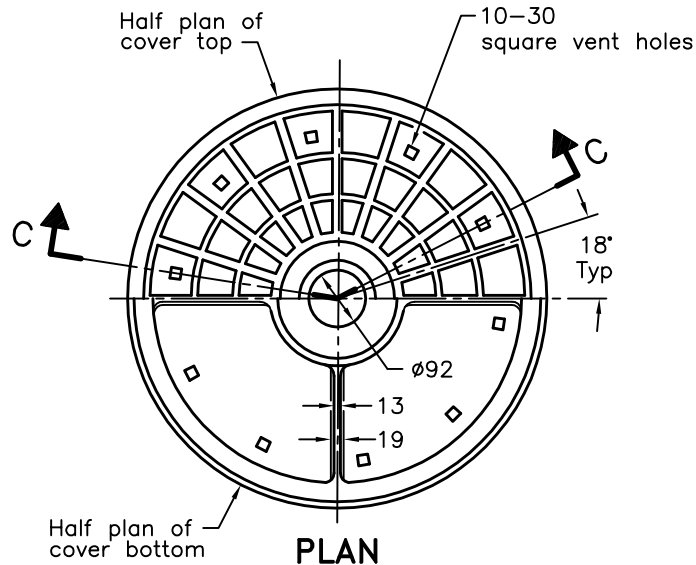
FRAME PLAN



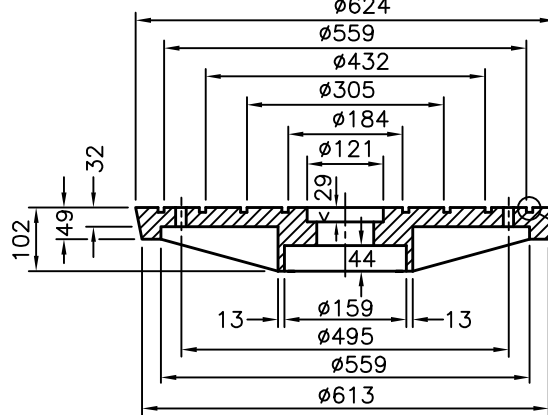
SECTION A-A



SECTION B-B



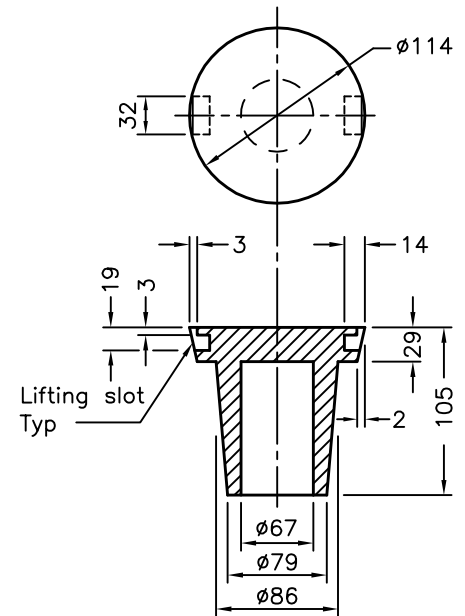
PLAN



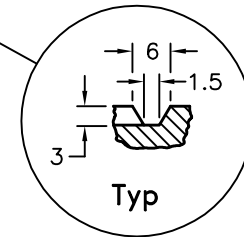
SECTION C-C

NOTES:

A All dimensions are in millimetres unless otherwise shown.



PLUG DETAIL



Typ

ONTARIO PROVINCIAL STANDARD DRAWING

**CAST IRON, RAISED SQUARE FRAME WITH
VENTED CIRCULAR COVER AND PLUG
FOR VALVE CHAMBERS**

Nov 2019 Rev 4



OPSD 402.021