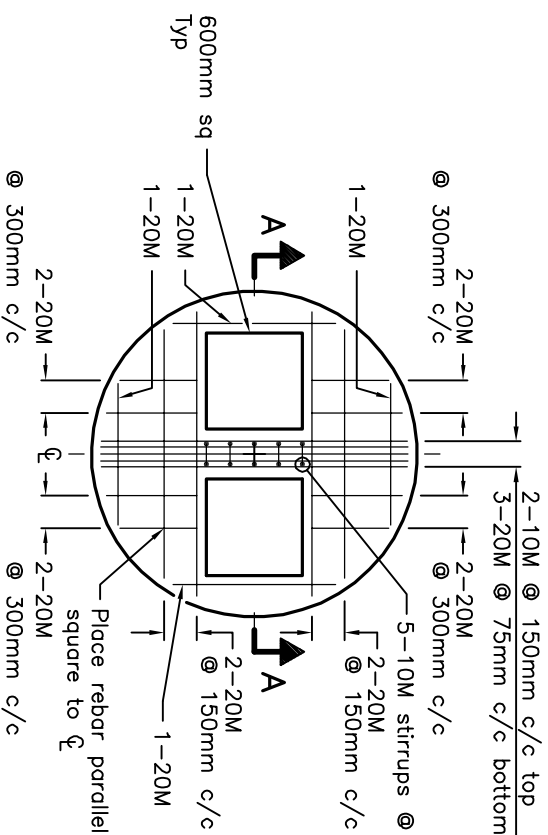
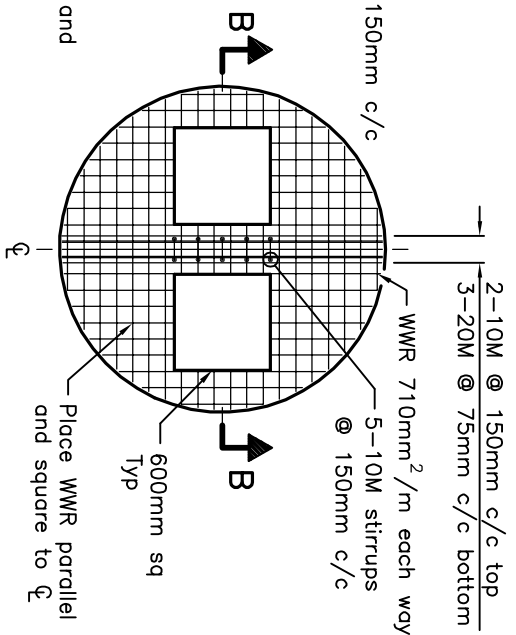


1500mm DIAMETER MAINTENANCE HOLE

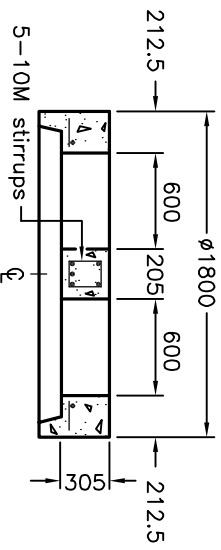
PLAN OF TWIN INLET FLAT CAP WITH REINFORCING STEEL BARS



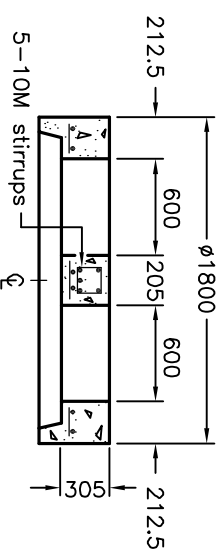
PLAN OF TWIN INLET FLAT CAP WITH WWR



SECTION A-A



SECTION B-B



NOTES:

- A All reinforcing steel shall have 25mm minimum cover.
- B All dimensions are nominal.
- C All dimensions are in millimetres unless otherwise shown.

ONTARIO PROVINCIAL STANDARD DRAWING		Nov 2014	Rev 2
PRECAST CONCRETE TWIN INLET FLAT CAP		-----	
1500mm DIAMETER		-----	
OPSD 703.021		-----	

