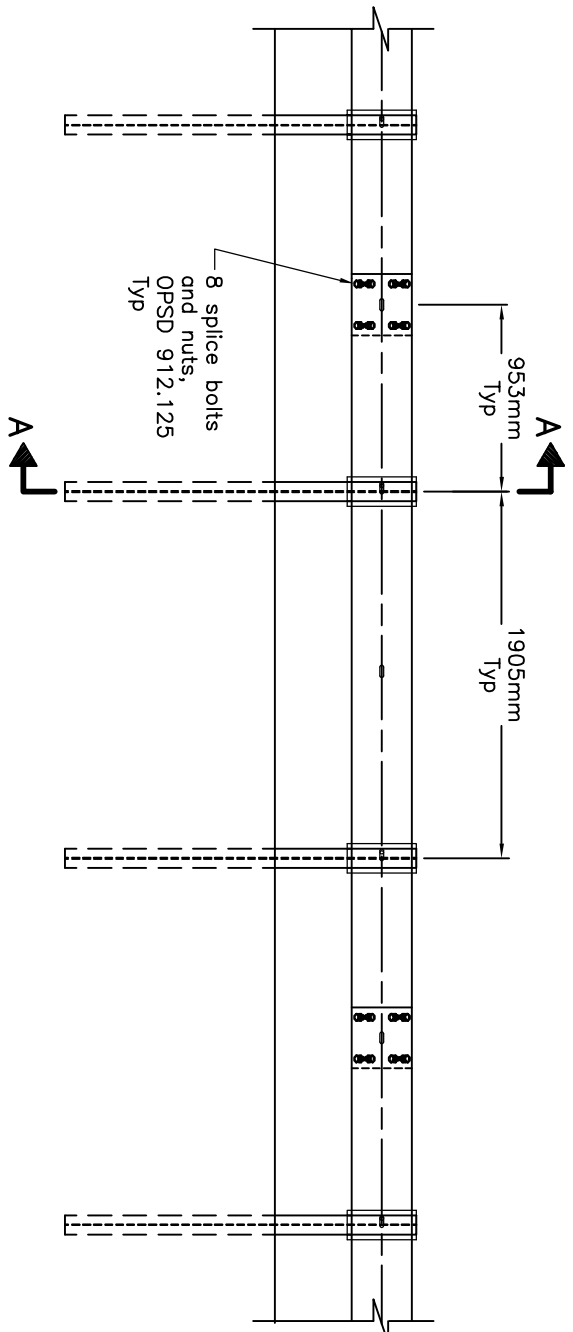
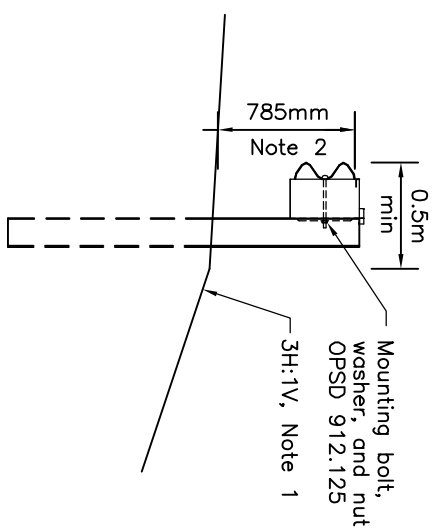


PLAN



ELEVATION



SECTION A-A

NOTES:

- 1 Slope shall be flatter when specified.
- 2 Mounting height to top of steel beam shall be measured vertically at face of rail.
- A System configuration meets AASHTO MASH TL-3.
- B All dimensions are in millimetres unless otherwise shown.

ONTARIO PROVINCIAL STANDARD DRAWING		Nov 2016	Rev 0	
GUIDE RAIL SYSTEM, STEEL BEAM TYPE M20 INSTALLATION				
		OPSD 912.185		