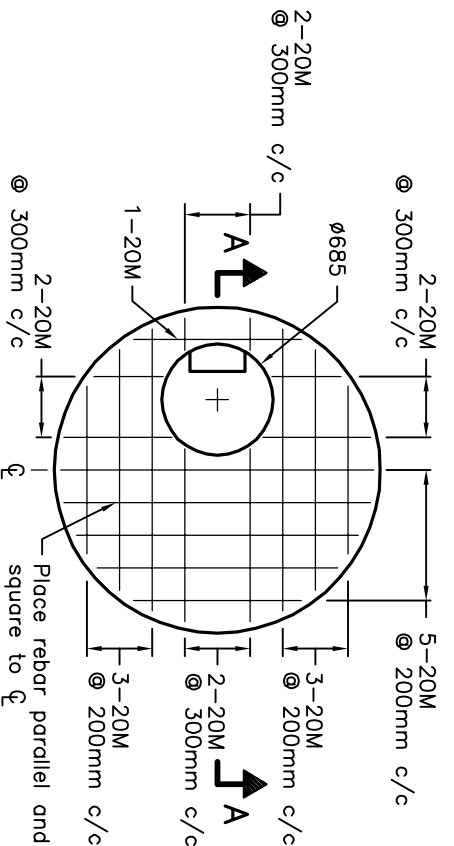
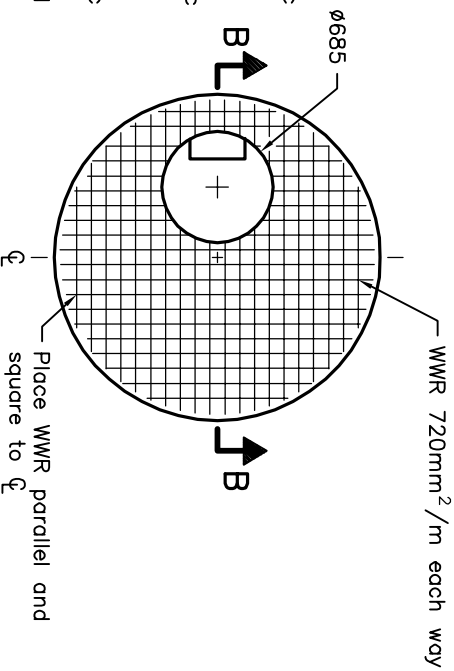


Precast units,
OPSD 701.041

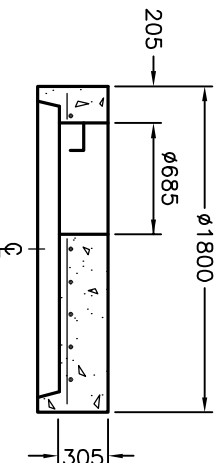
**1500mm DIAMETER
MAINTENANCE HOLE**



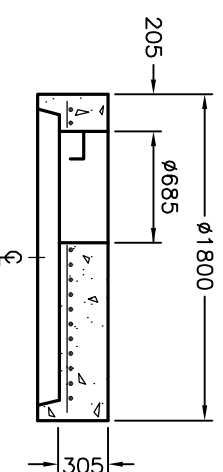
**PLAN OF FLAT CAP
WITH REINFORCING STEEL BARS**



**PLAN OF FLAT CAP
WITH WWR**



SECTION A-A



SECTION B-B

NOTES:

- A All reinforcing steel shall have 25mm minimum cover.
- B All dimensions are nominal.
- C All dimensions are in millimetres unless otherwise shown.

ONTARIO PROVINCIAL STANDARD DRAWING

Nov 2014

Rev 2

**PRECAST CONCRETE
SINGLE INLET FLAT CAP**

1500mm DIAMETER



OPSD 703.011