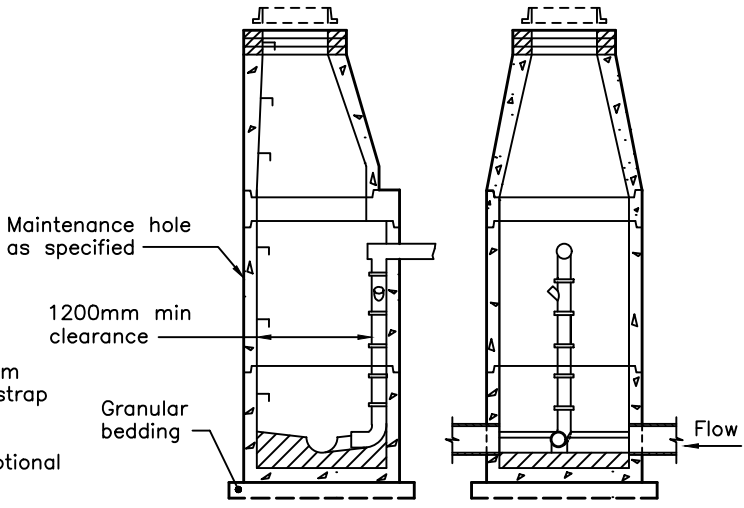
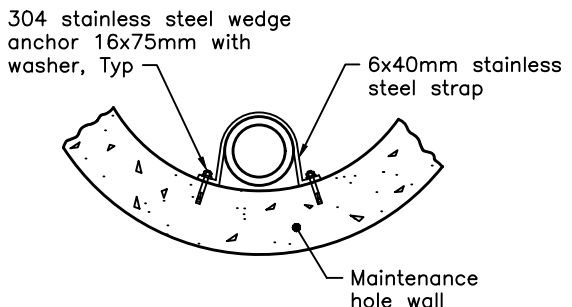


INTERNAL DROP STRUCTURE DETAIL



**SIDE VIEW FRONT VIEW
MAINTENANCE HOLE IN SECTION**



FASTENER DETAIL

NOTES:

- 1 At the elbow, a stainless steel strap is required at bottom of bell.
- 2 Straps shall not be placed within 150mm of any maintenance hole section joint.
- A Internal drop structure shall be used in maintenance holes 1500mm diameter and larger and larger with a minimum height of 600mm from the inlet pipe invert to the bottom
- B Drop pipe shall be one size smaller than the incoming sewer with a minimum 150mm diameter and maximum of 375mm diameter. A maximum of 300mm diameter for 1500mm maintenance holes.
- C All dimensions are in millimetres unless otherwise shown.

ONTARIO PROVINCIAL STANDARD DRAWING	Nov 2021	Rev	4	
INTERNAL DROP STRUCTURE FOR NEW MAINTENANCE HOLES WITH OPTIONAL SIDE CLEANOUT				
OPSD 1003.031				