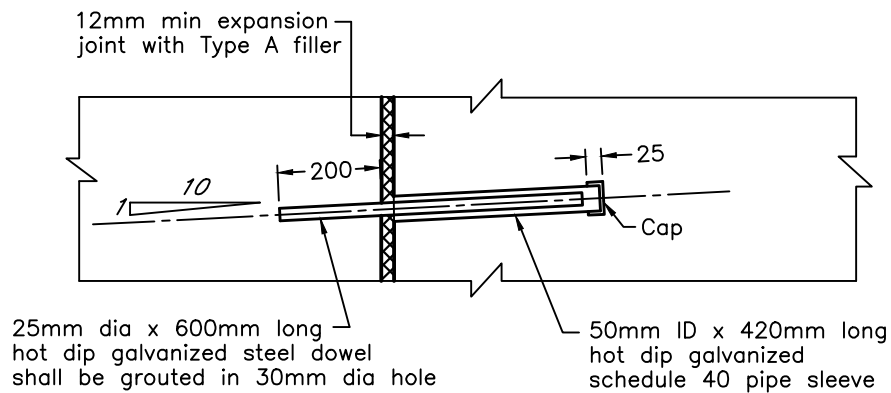



ELEVATION



DOWEL CONNECTION DETAIL

NOTES:

- 1 Barrier panel length shall not exceed 6m.
- A This OPSD shall be read in conjunction with OPSD 911.130, 911.131, 911.132, or 911.136.
- B All dowels shall be hot dip galvanized according to ASTM A123.
- C Cover on reinforcement shall be 70mm ±20mm at all joints.
- D All dimensions are in millimetres unless otherwise shown.

ONTARIO PROVINCIAL STANDARD DRAWING	Apr 2021	Rev 2	
GUIDE RAIL SYSTEM, CONCRETE BARRIER INSTALLATION – MEDIAN CONCRETE BARRIER TO STRUCTURE	----- -----		
OPSD 911.134			