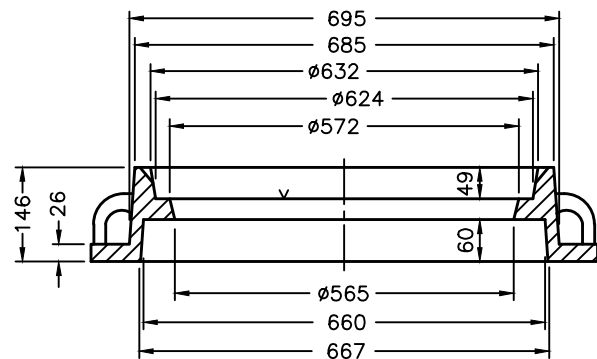
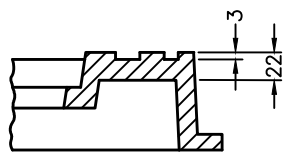


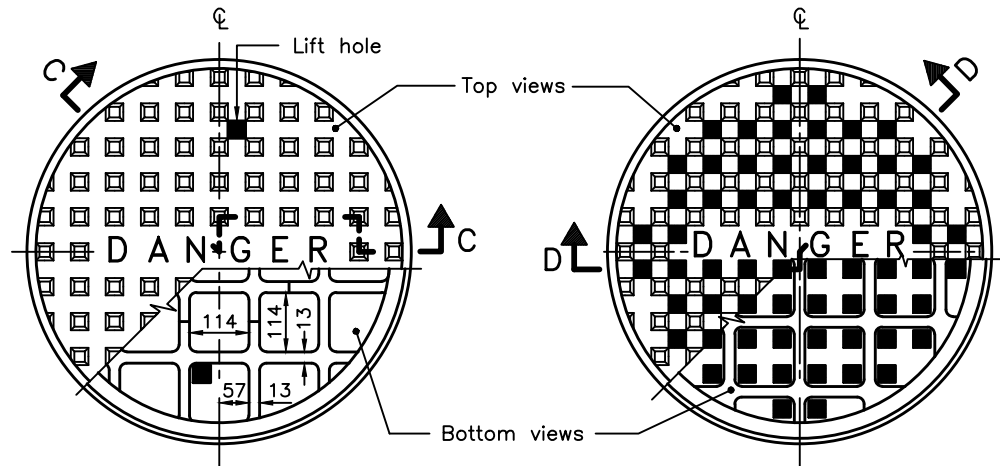
FRAME PLAN



SECTION A-A

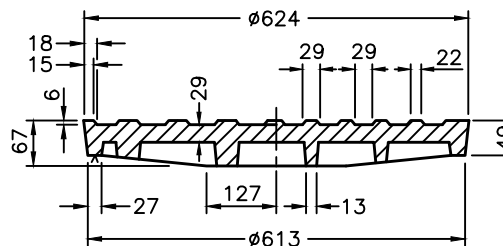


SECTION B-B

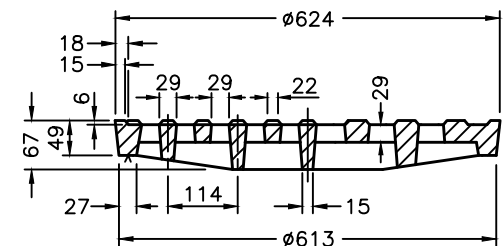


**TYPE A
CLOSED COVER**

**TYPE B
OPEN COVER**



SECTION C-C



SECTION D-D

NOTES:

A Covers shall be Type A or Type B, as specified.

B All dimensions are in millimetres unless otherwise shown.

ONTARIO PROVINCIAL STANDARD DRAWING

Nov 2018

Rev 5

**CAST IRON, RAISED SQUARE FRAME WITH
CIRCULAR CLOSED OR OPEN COVER
FOR MAINTENANCE HOLES**



OPSD 401.040