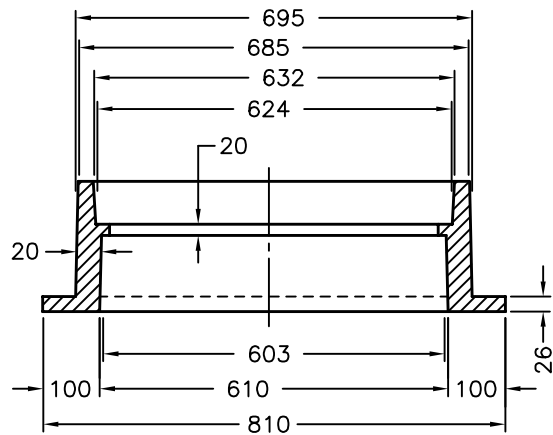
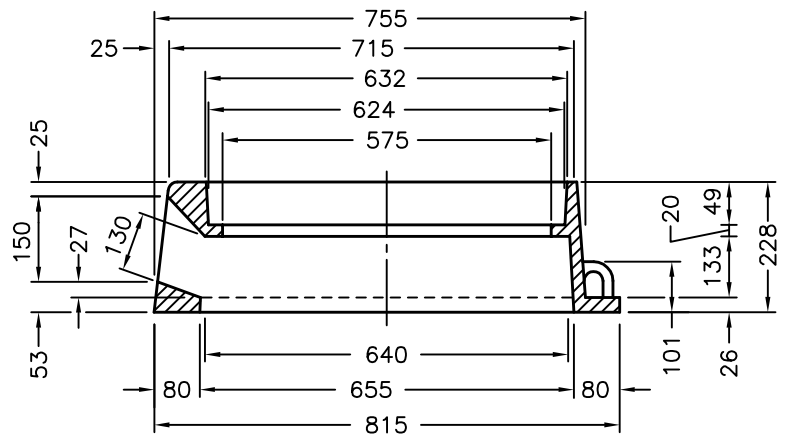


CURB ELEVATION



SECTION A-A



SECTION B-B

NOTES:

- A Installation shall be according to OPSD 610.030.
- B For cover types, see OPSD 401.010 or 401.080.
- C All dimensions are in millimetres unless otherwise shown.

ONTARIO PROVINCIAL STANDARD DRAWING

Nov 2019

Rev 5

CAST IRON, RAISED CURB INLET FRAME
WITH COVER
FOR CATCH BASINS OUT OF ROADWAY



OPSD 400.082