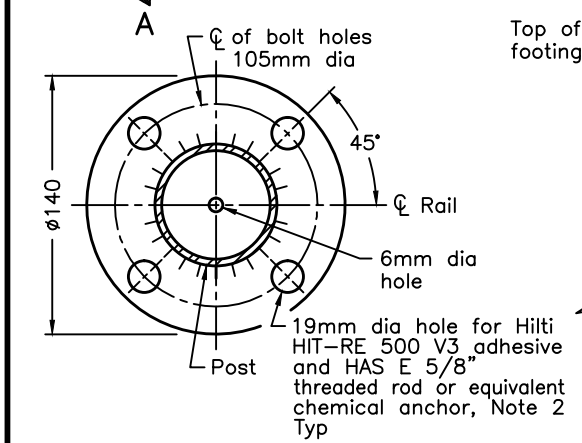
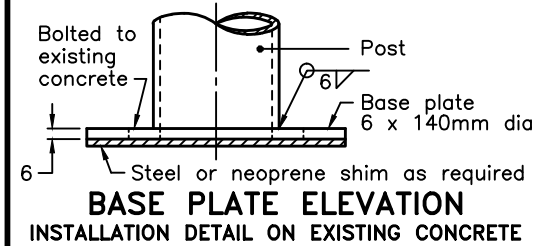


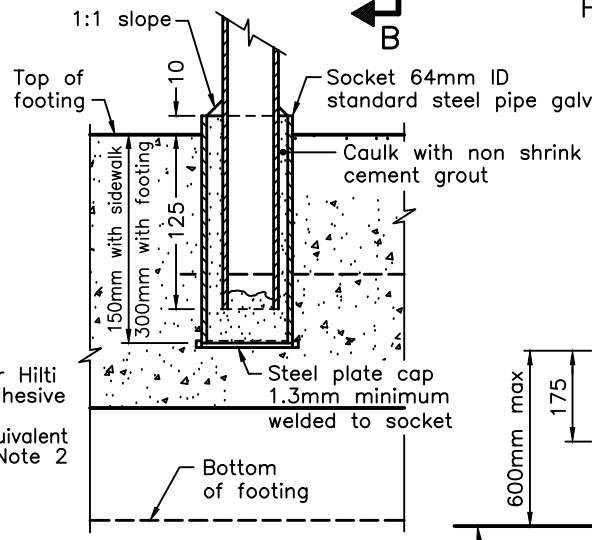
ELEVATION



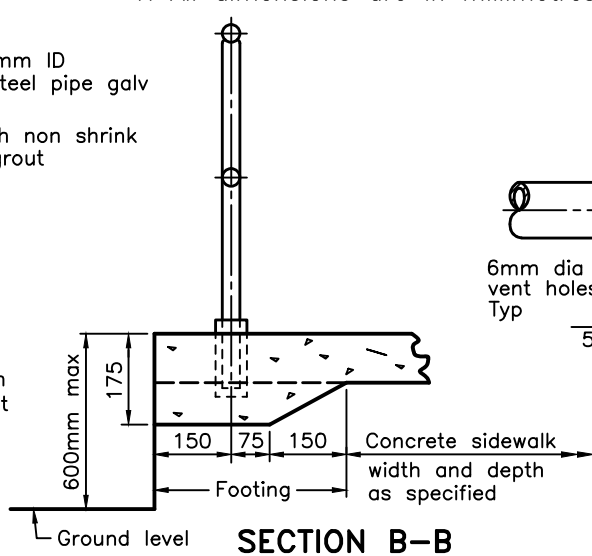
PLAN OF BASE PLATE



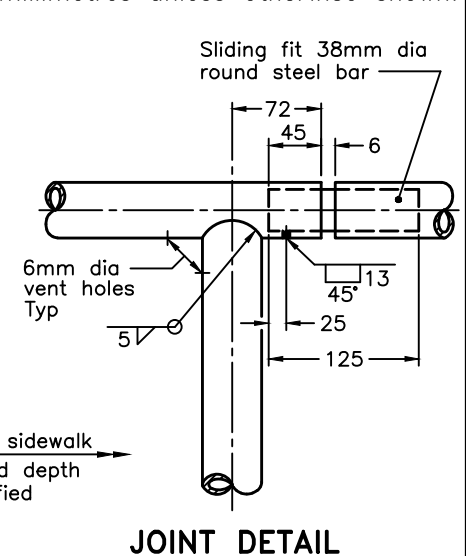
**BASE PLATE ELEVATION
INSTALLATION DETAIL ON EXISTING CONCRETE**



SECTION A-A



SECTION B-B



JOINT DETAIL

- NOTES:**
- 1 When sidewalk is not specified, posts shall be set in centre of 300mm dia x 450mm deep or 300 x 300 x 375mm deep concrete footings.
 - 2 Anchors shall be installed according to manufacturer's specifications.
 - A Concrete shall have a nominal minimum 28-Day compressive strength of 20MPa.
 - B Posts and railings shall be hot dip galvanized according to ASTM A123 after fabrication.
 - C Posts shall be vertical. All exposed corners shall be ground smooth.
 - D Welding shall be according to CSA W59.
 - E All joints shall be shop welded.
 - F Pipe shall be according to ASTM A500, Grade C.
 - G A difference in elevation between the adjacent ground level and top of footing shall not exceed 600mm.
 - H All dimensions are in millimetres unless otherwise shown.

ONTARIO PROVINCIAL STANDARD DRAWING		Nov 2017	Rev 3	
PEDESTRIAN BARRICADE INSTALLATION				
		OPSD 980.101		