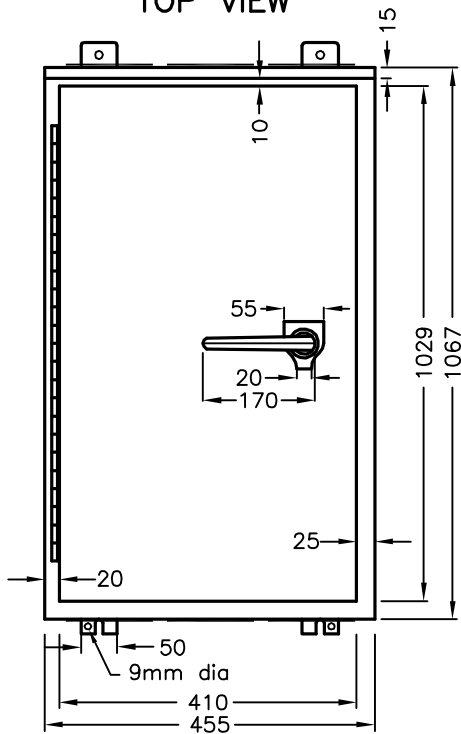
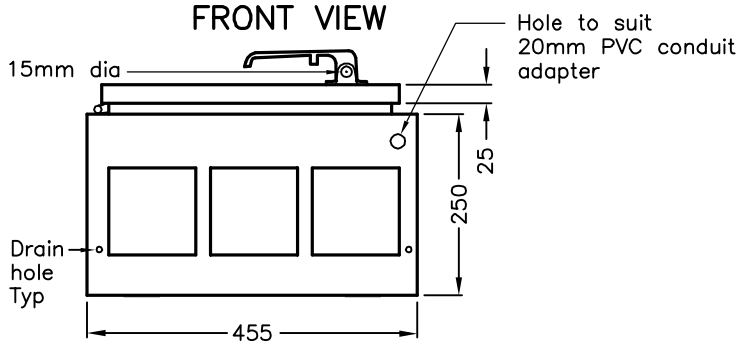


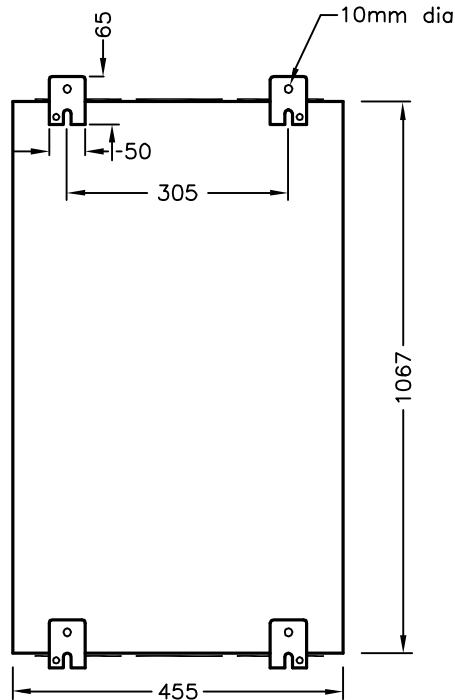
TOP VIEW



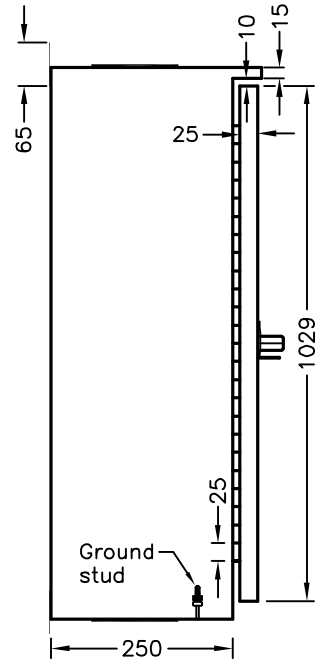
FRONT VIEW



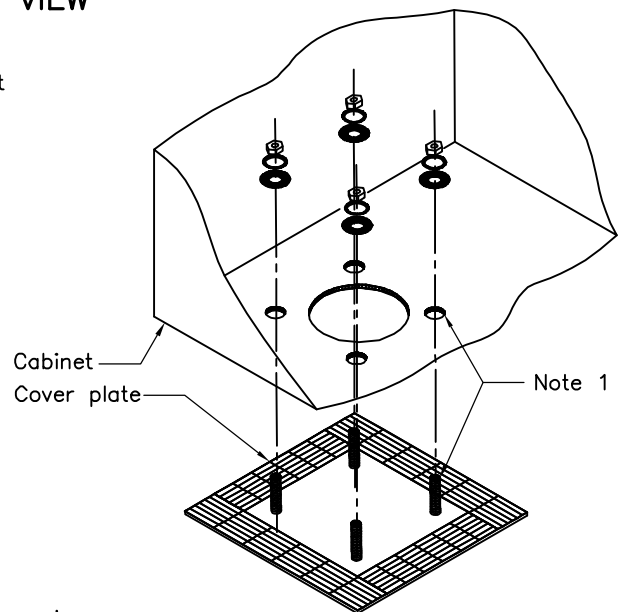
BOTTOM VIEW



BACK VIEW




SIDE VIEW



COVER PLATE DETAIL

NOTES:

- 1 Bolt and hole pattern shall suit meter hub.
- A All dimensions are in millimetres unless otherwise shown.

ONTARIO PROVINCIAL STANDARD DRAWING	Nov 2014	Rev 1	
SUPPLY CONTROL CABINET ASSEMBLY TYPE 1 AND 2 ENCLOSURE			
OPSD 2440.030			