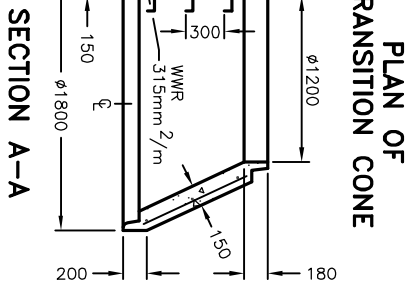
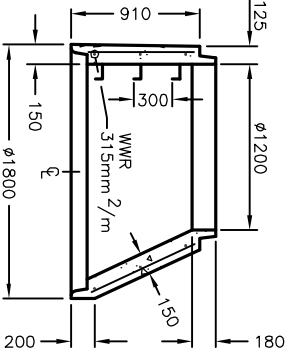


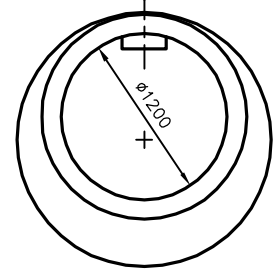
**1500 to 1200mm DIAMETER
MAINTENANCE HOLE**



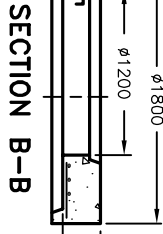
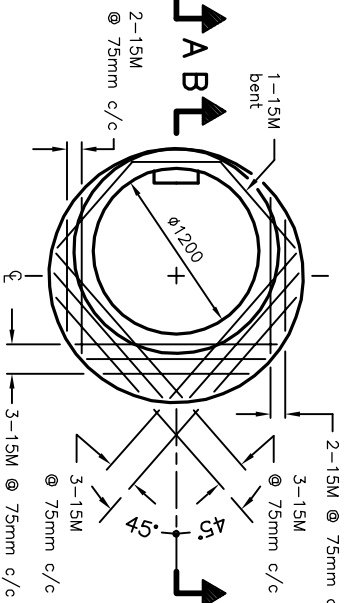
PLAN OF CONE



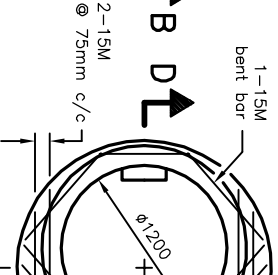
SECTION A-A



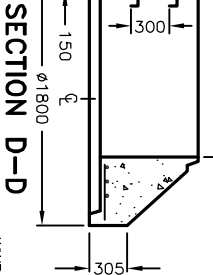
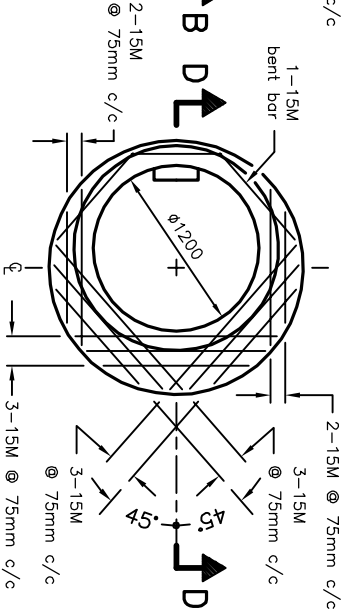
**PLAN OF TRANSITION SLAB
WITH REINFORCING STEEL BARS**



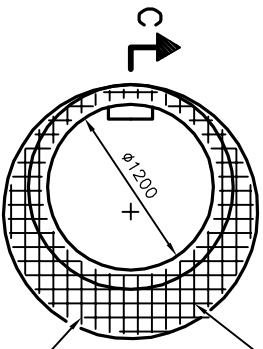
SECTION B-B



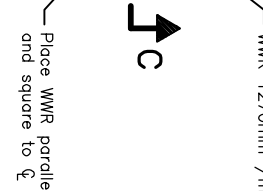
**PLAN OF TAPERED TRANSITION SLAB
WITH REINFORCING STEEL BARS**



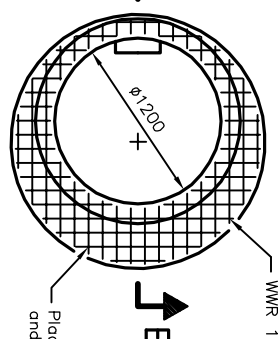
SECTION D-D



**PLAN OF TRANSITION SLAB
WITH WWR**



SECTION C-C



PLAN OF TAPERED TRANSITION SLAB WITH WWR



SECTION E-E

NOTES:

- A This OPSD shall be read in conjunction with OPSD 701.041.
- B Centre reinforcing in transition cone ±25mm.
- C All other reinforcing in steel shall have 25mm minimum cover.
- C Steps shall be according to OPSD 405.010 or 405.020.
- D All dimensions are nominal.
- E All dimensions are in millimetres unless otherwise shown.

| | |
|---|-------|
| ONTARIO PROVINCIAL STANDARD DRAWING | |
| PRECAST CONCRETE MAINTENANCE HOLE COMPONENTS | |
| 1500mm DIAMETER TRANSITION CONE AND SLABS | |
| Nov 2014 | Rev 4 |
| OPSD 701.040 | |

