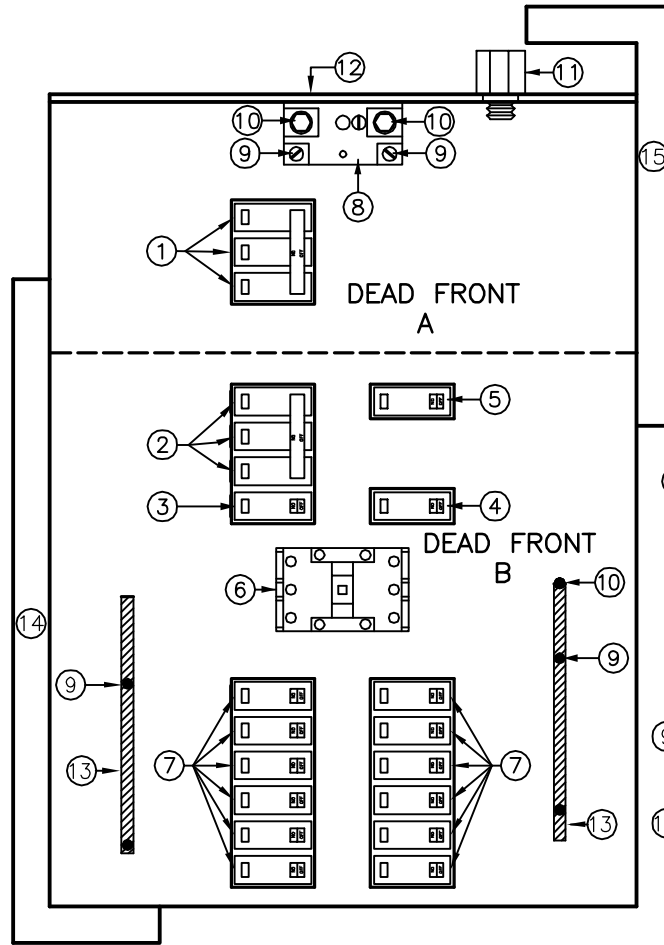
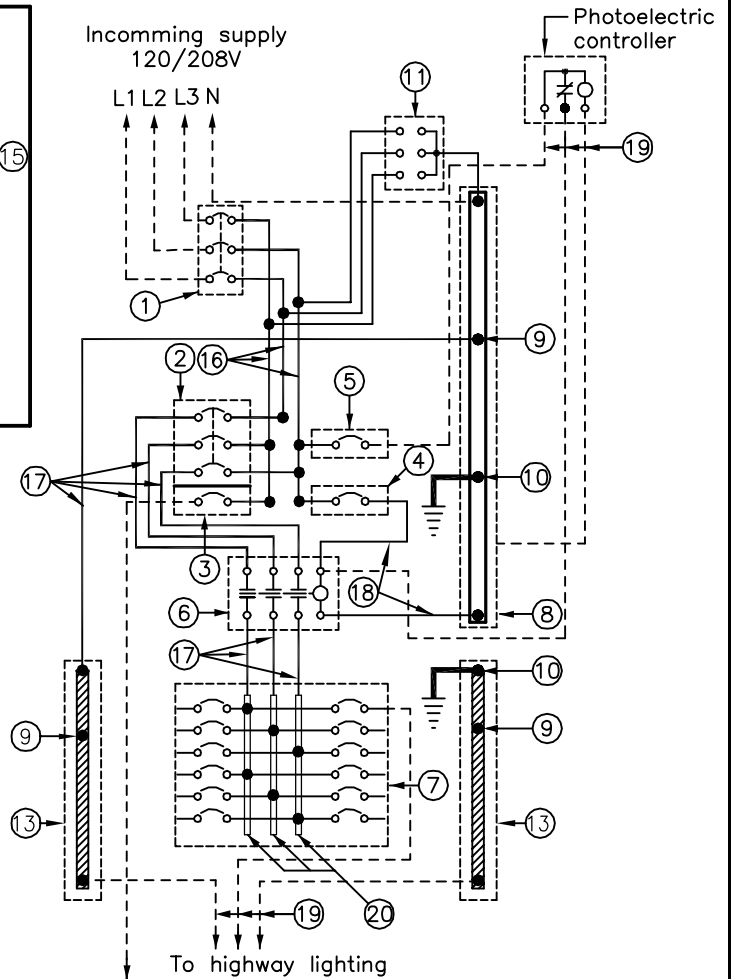


## EQUIPMENT LAYOUT



## SCHEMATIC WIRING DIAGRAM



## ELECTRICAL EQUIPMENT LIST

- ① Main circuit breaker - 100A, 3-pole
- ② Lighting circuit breaker - 60A, 3-pole
- ③ Traffic signal circuit breaker - 1-pole, ampacity as specified
- ④ Circuit breaker used for relamping - 15A, 1-pole
- ⑤ Circuit breaker for photoelectric controller - 15A, 1-pole
- ⑥ Lighting contactor - 60A, 3-pole, 120V coil
- ⑦ Branch circuit breakers - 30A, 1-pole, number of breakers as specified
- ⑧ Solid neutral assembly - 150A minimum, copper
- ⑨ Ground lug for No. 6 AWG stranded copper ground wire
- ⑩ Ground lug for No. 2/0 AWG stranded copper ground wire
- ⑪ Secondary lightning arrester, 650V, 3-pole
- ⑫ Drip shield
- ⑬ Secondary neutral and ground bus according to CSA and as specified

- ⑭ Primary barrier
- ⑮ Secondary barrier
- ⑯ No. 3 AWG RWU90 wire or copper bus bar
- ⑰ No. 6 AWG RWU90 wire
- ⑱ No. 12 AWG RWU90 wire
- ⑲ Field wiring
- ⑳ Copper bus bar

### NOTE:

A This OPSD shall be read in conjunction with OPSD 2440.030, 2440.050, and 2440.060.

ONTARIO PROVINCIAL STANDARD DRAWING

Nov 2014

Rev 1

**SUPPLY CONTROL CABINET**  
**ASSEMBLY TYPE 2**  
 120/208V, 100A, 3-PHASE, 4-WIRE

**OPSD 2440.020**

