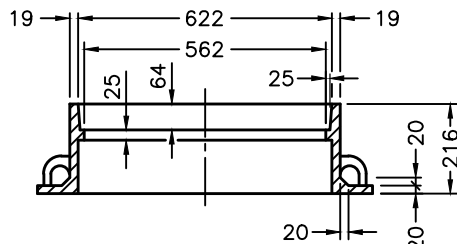
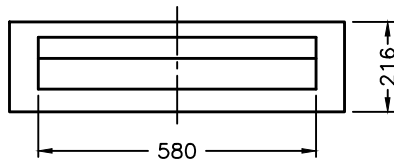


PLAN

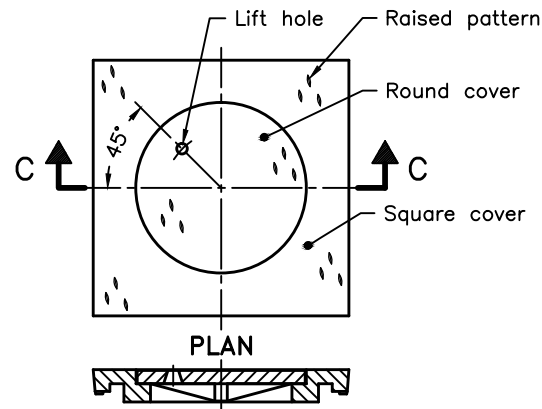
SECTION A-A



SECTION B-B

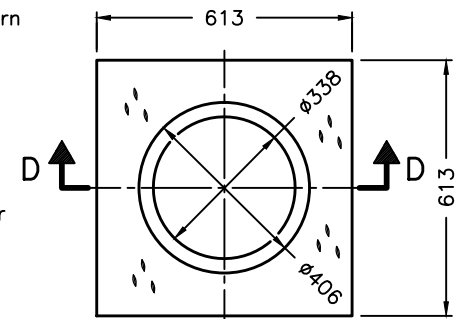


CURB ELEVATION  
FRAME

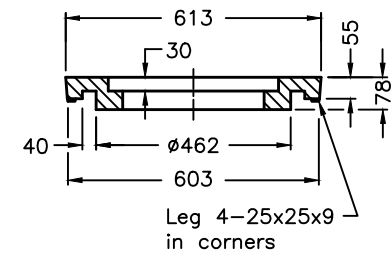


PLAN

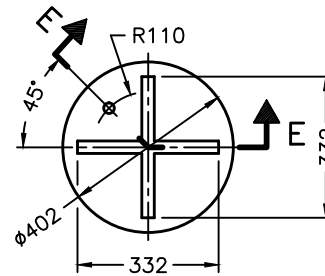
SECTION C-C  
COVER



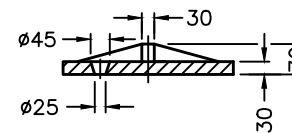
PLAN



SECTION D-D  
SQUARE COVER



BOTTOM VIEW



SECTION E-E  
ROUND COVER

**NOTE:**

A Installation shall be according to OPSD 610.030.

B All dimensions are in millimetres unless otherwise shown.

ONTARIO PROVINCIAL STANDARD DRAWING

Nov 2018

Rev 3

**CAST IRON, CURB INLET FRAME  
WITH TWO-PIECE RAISED COVER  
FOR CATCH BASINS OUT OF ROADWAY**



**OPSD 400.081**