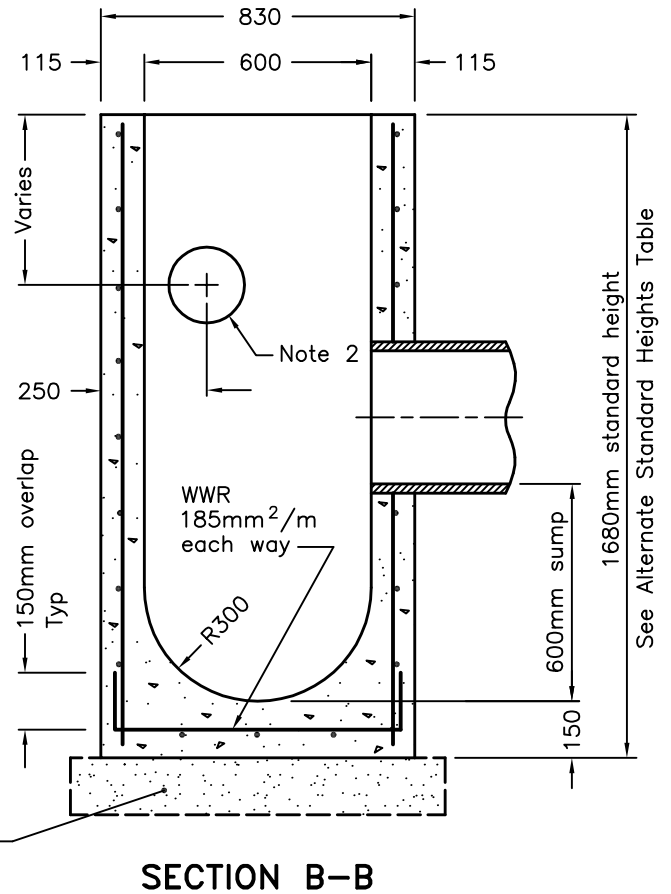
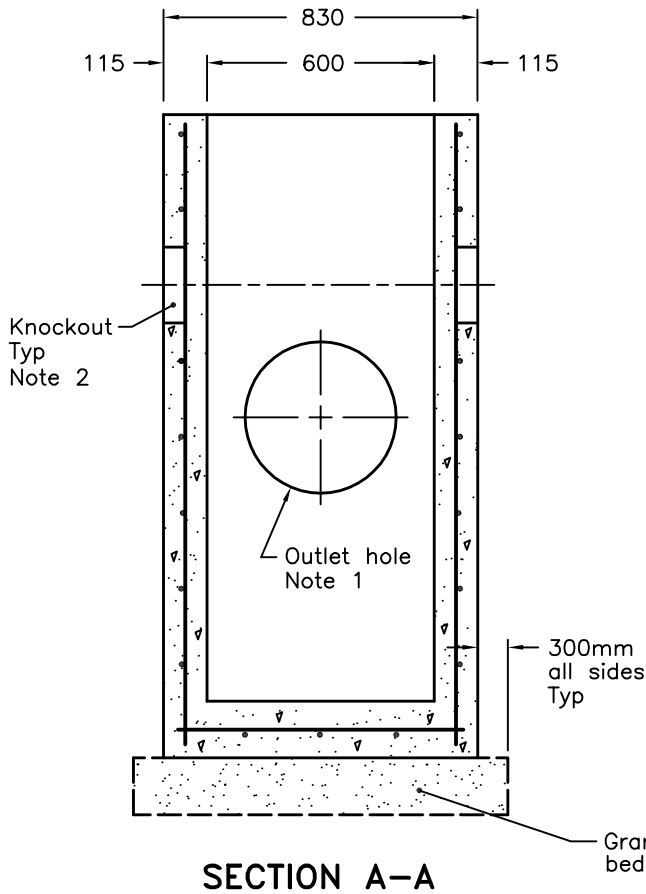
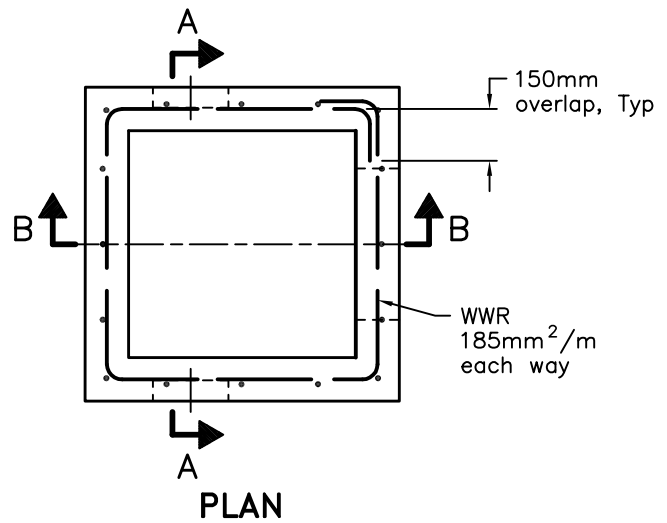


| ALTERNATE STANDARD HEIGHTS | |
|----------------------------|-----------|
| ALTERNATIVE | DIMENSION |
| A | 1980 |
| B | 1830 |
| C | 1520 |
| D | 1380 |



NOTES:

- 1 Outlet hole size 525mm diameter maximum, location as required.
- 2 200mm diameter knockout to accommodate subdrain. Knockout shall be 60mm deep.
- A Centre reinforcing in base slab and walls ± 20 mm.
- B Granular backfill shall be placed to a minimum thickness of 300mm all around the catch basin.

- C Frame, grate, and adjustment units shall be installed according to OPSD 704.010.
- D Pipe support shall be according to OPSD 708.020.
- E All dimensions are nominal.
- F All dimensions are in millimetres unless otherwise shown.

ONTARIO PROVINCIAL STANDARD DRAWING

PRECAST CONCRETE CATCH BASIN
600x600mm

Nov 2019

Rev 4



OPSD 705.010