

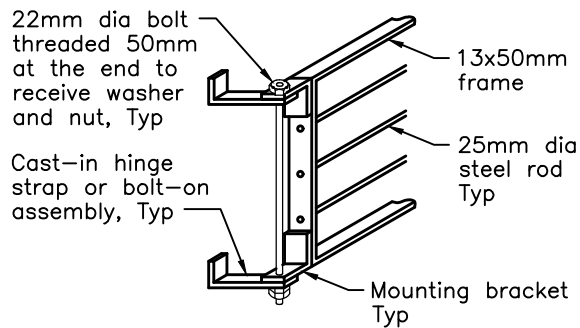
See assembly details and Table 1

PIPE DIA	No of RODS
450	1
525	1
600	2
675	3
750	3
825	4
900	4
975	5
1050	6
1200	7

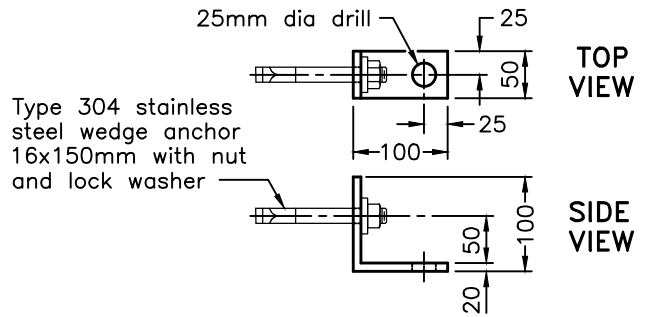
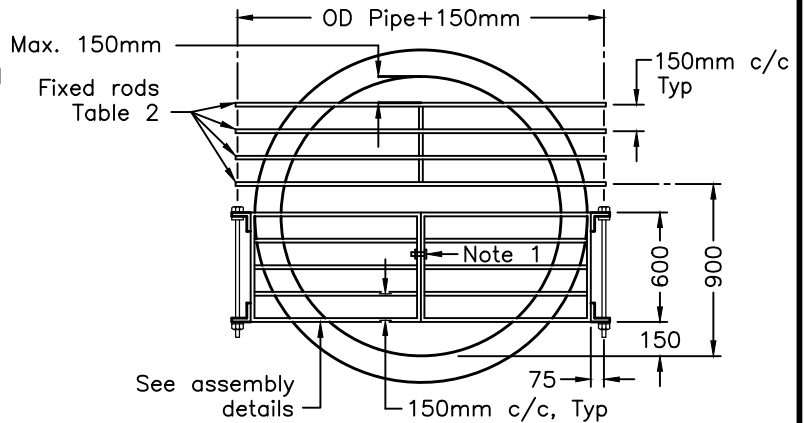
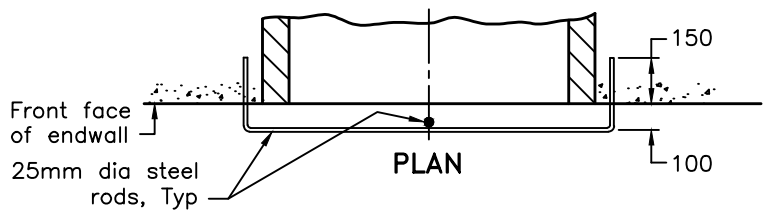
PIPE DIA up to 1200mm

PIPE DIA	No of RODS
1350	3
1500	4
1650	5
1800	6
1950	7
2100	8
2250	9
2400	10

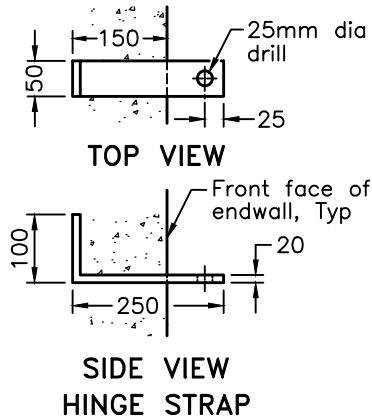
PIPE DIA 1350 to 2400mm



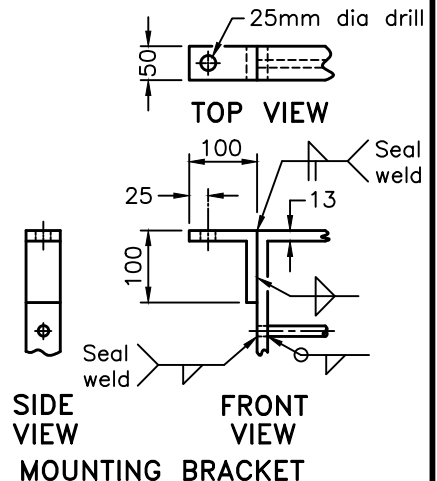
ASSEMBLY



BOLT-ON ASSEMBLY DETAIL



CAST-IN HINGE STRAP ASSEMBLY DETAILS



NOTES:

- 1 Grates shall be secured by either a bolt and nut or a locking device as specified.
- A Metal surfaces shall be either painted with 2 coats of self priming abrasion resistant immersion grade epoxy or hot dip galvanized as specified.
- B Frame, hinge strap, mounting bracket, and steel rods shall be medium grade steel.
- C All welding shall be according to CSA W59.
- D All dimensions are in millimetres unless otherwise shown.

ONTARIO PROVINCIAL STANDARD DRAWING

Nov 2021 | Rev | 3

GRATING
FOR CONCRETE ENDWALL

OPSD 804.050

