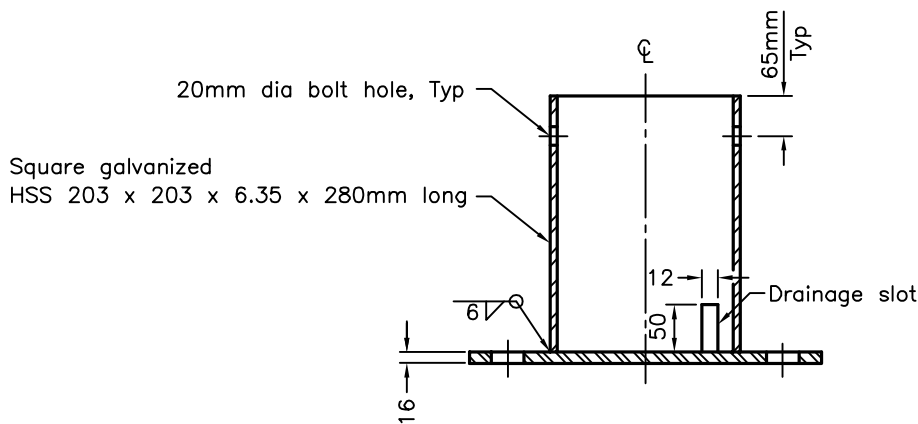


PLAN




SECTION A-A

FOR SQUARE WOODEN POST FOR STEEL BEAM GUIDE RAIL

NOTES:

A All dimensions are in millimetres unless otherwise shown.

ONTARIO PROVINCIAL STANDARD DRAWING	Nov 2016	Rev 2	
<p>GUIDE RAIL SYSTEM, STEEL BEAM BASE PLATE COMPONENT</p>	<p>----- -----</p>		
<p>OPSD 912.105</p>			