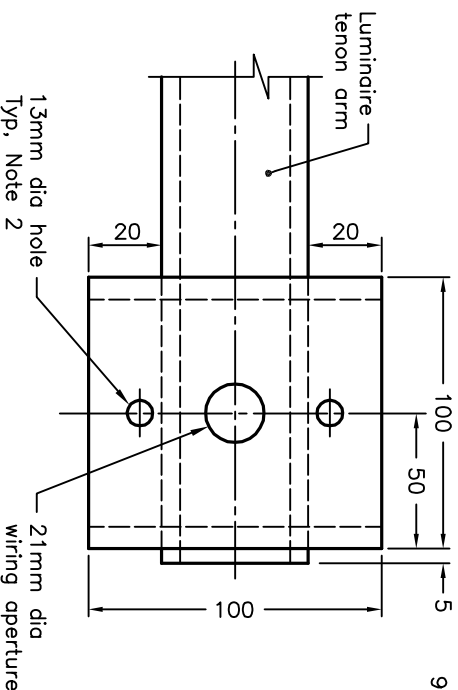
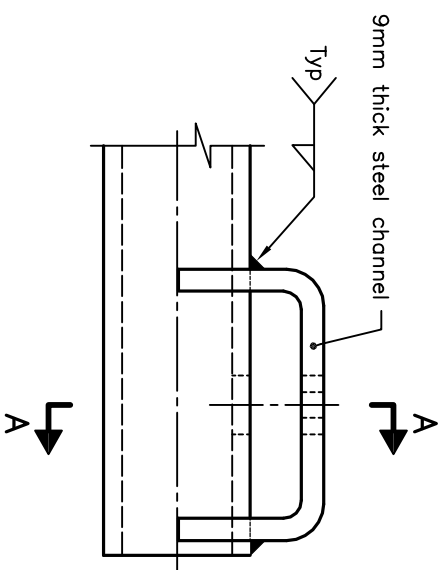


SECTION A-A

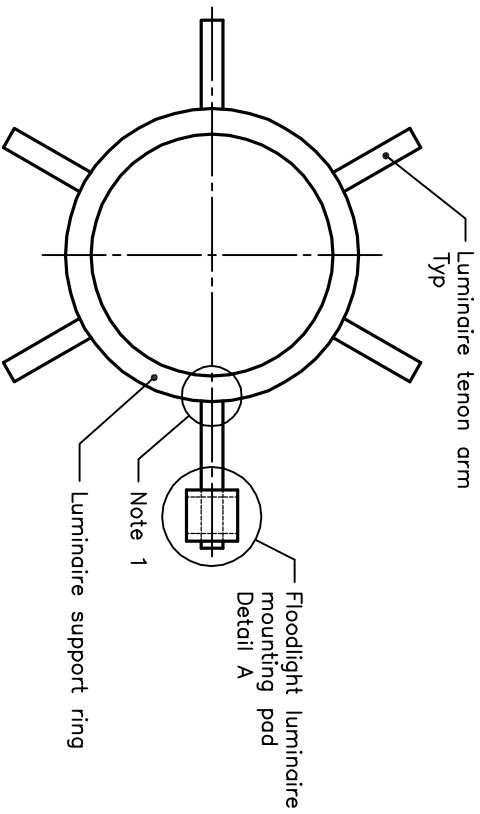


PLAN



DETAIL A

ELEVATION



PLAN

- NOTES:**
- 1 For luminaire support ring details see OPSD 2453.070.
 - 2 Hole to be drilled to match floodlight mounting requirements.
- A Orientation, number of luminaire tenon arms, and pads required as specified.
- B All dimensions are in millimetres unless otherwise shown.

ONTARIO PROVINCIAL STANDARD DRAWING		Nov 2016	Rev 1
HIGH MAST LIGHTING POLE FLOOD LIGHT LUMINAIRE MOUNTING DETAILS			
		OPSD 2453.060	

